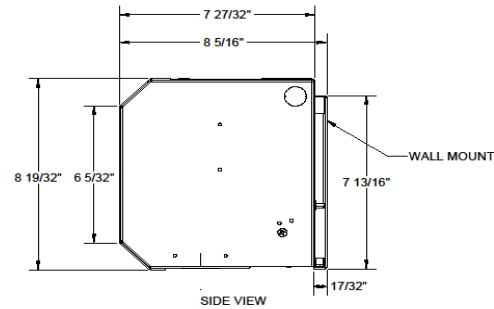
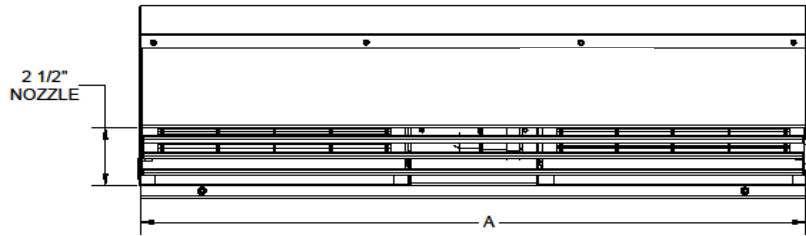


TOP VIEW



SIDE VIEW



BOTTOM VIEW

RECOMMENDED ACCESSORIES

- Door Switch (standard) Model 200-1
- Door Sw, Hi traffic, time delay 115/1 300-1

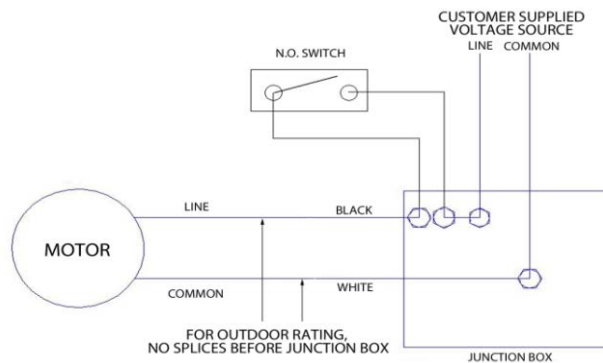
STANDARD FEATURES

- High performing, industrial strength
- Weatherproof powder-coated exterior cabinet
- Easy threaded-rod installation option
- Five-year parts warranty
- Environmental Protection: 8'
- Made in America since 1916
- Black mounting plate included

Williams Comfort Products reserves the right to alter

MODEL NUMBER	UNIT LENGTH B	NOZZLE LENGTH "A"	THREADED RODS "B"
KTECH026-00	26	25 7/8	25 1/8
KTECH036-00	36	35 7/8	35 1/8
KTECH042-00	42	41 7/8	41 1/8
KTECH048-00	48	47 7/8	47 1/8
KTECH060-00	60	59 7/8	59 1/8
KTECH072-00	72	71 7/8	71 1/8
KTECH084-00	84 1/8"	83 7/8	83 1/8
KTECH096-00	96 1/8"	95 7/8	95 1/8
KTECH108-00	108 1/8"	107 7/8	107 7/8
KTECH120-00	120 1/8"	119 7/8	119 1/8
KTECH144-00	144 1/8"	143 7/8	143 1/8

Electrical Installation



Project

Location

Architect

Engineer



Jun-18
Lit. # L6025

KITCHEN TECH Series (Unheated)

WILLIAMS
250 West Laurel Street • Colton • CA • 92324
909.825.0093 • www.wfc-fc.com

PROJECT: _____

DRWG.: _____

ENGINEER/ARCHITECT: _____

CONTRACTOR: _____

PAGE: _____ OF _____

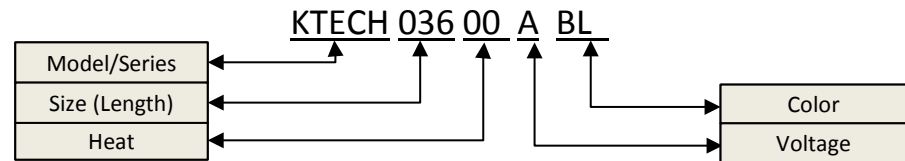
DATE: _____

MODEL	LENGTH	WEIGHT (LBS)	MOTOR DATA										REMARKS
			MOTOR HP	MOTOR RPM	Qty Motors	FLA* SINGLE PHASE		FLA* THREE PHASE		MAX FPM At Nozzle	MAX CFM	dBA	
						115V	208V/230V	208V/230 V	460V				
KTECH026-00	26"	35	1/4	1,600	1	3.2	1.5	N/A	N/A	4,600	2,000	TBD	
KTECH036-00	36"	40	1/4	1,600	1	3.2	1.5	N/A	N/A	2,400	1,500	"	
KTECH042-00	42"	45	1/4	1,600	1	3.2	1.5	N/A	N/A	2,500	1,850	"	
KTECH048-00	48"	50	1/4	1,600	1	3.2	1.5	N/A	N/A	2,250	1,875	"	
KTECH060-00	60"	59	1/4	1,600	1	3.2	1.5	N/A	N/A	2,300	2,400	"	
KTECH072-00	72"	68	1/4	1,600	1	3.2	1.5	N/A	N/A	2,350	2,900	"	
KTECH084-00	84 1/8"	90	1/4	1,600	2	6.4	3.0	N/A	N/A	2,500	3,700	"	
KTECH096-00	96 1/8"	100	1/4	1,600	2	6.4	3.0	N/A	N/A	2,250	3,750	"	
KTECH108-00	108 1/8"	109	1/4	1,600	2	6.4	3.0	N/A	N/A	2,300	4,300	"	
KTECH120-00	120 1/8"	118	1/4	1,600	2	6.4	3.0	N/A	N/A	2,300	4,850	"	
KTECH144-00	144 1/8"	136	1/4	1,600	2	6.4	3.0	N/A	N/A	2,350	5,900	"	

- Operation at 50 Hz will generate approximately a 17% reduction in performance
- Rated data shown for unheated units
- All units greater than 6' are comprised of 2 units and with the trim kit they are 1/8" wider (144"= 72" + 72"+1/8") and require two power sources or equivalent ampacity
- **EQUIPMENT SPECIFICATIONS** – Standard features, other options available
- **GENERAL DESCRIPTION**– Air curtains are to be Kitchen Tech models, made by Williams Comfort Products
- **CABINET** – Constructed of heavy-gauge galvanized steel, treated with a powder-coated epoxy finish for corrosion resistance. Designed for easy access to filter and for service maintenance. Equipped with easily adjustable aluminum vanes for the most efficient air flow as needed. Easy direct-wall mount (key slots) or top threaded-rod installation option. Available in stainless, white, black and custom colors.
- **MOTORS & FAN WHEELS** – Motors are ¼ HP, galvanized blower wheels and a housing fabricated of galvanized durable steel.
- **ELECTRICAL**– All motor leads are terminated in an internal, watertight junction box (1) per motor.
- **APPROVALS** – Air curtains meet the requirements of the National Electric Code and are ETL certified to UL Standard 1995.
- **ACCESSORIES** – Please see options and accessories page

*dBA measured 10 ft. from nozzle.

*For capacity, multiply FLA x 1.25



Size	Code	Color	Code	Voltage	Code	Heat Options Refer to SlimTech
26"	026					
36"	030					
42"	042					
48"	048					
60"	060					
72"	072					
84"	084					
96"	096					
108"	108	White	WH	115/1	A	
120"	120	Black	BL	208/1	C	
144"	144	Stainless	SS	230/1	D	

KITCHEN TECH Series - (Unheated)



WARNING This product can expose you to chemicals including epichlorohydrin which is known to the State of California to cause cancer and birth defects and/or other reproductive harm. For more information go to www.p65warnings.ca.gov



250 West Laurel Street ▪ Colton ▪ CA ▪ 92324
909.825.0093 ▪ www.wfc-fc.com