

RECOMMENDED ACCESSORIES

- | | |
|---|--------------|
| | <u>Model</u> |
| • Door Switch (standard) | 200-1 |
| • Door Sw, Hi Traffic/ time delay 115/1 | 300-1 |
| • Door Sw, Hi Traffic/ time delay 208-230/1 | 300-2 |

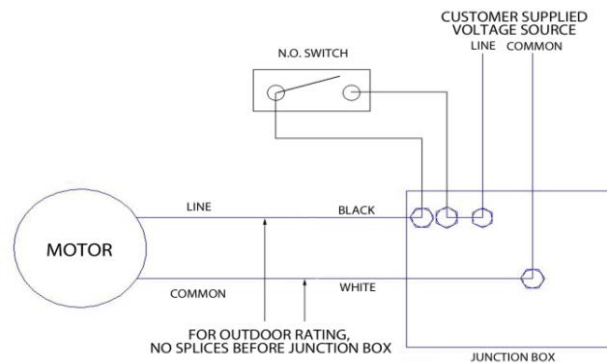
STANDARD FEATURES

- High performing, industrial strength
- Weatherproof powder-coated exterior cabinet
- Easy threaded-rod installation option
- Five-year parts warranty
- Environmental Protection: 10'
- NSF Protection to 7'
- Made in America since 1916

Williams Comfort Products reserves the right to alter

MODEL NUMBER	UNIT LENGTH B	NOZZLE LENGTH "A"	THREADED RODS "B"
KTPRO036-00	36	35 15/16	33 13/16
KTPRO042-00	42	41 15/16	39 13/16
KTPRO048-00	48	47 15/16	45 13/16
KTPRO064-00	64	63 15/16	61 13/16
KTPRO072-00	72	71 15/16	69 13/16
KTPRO084-00	84"	83 15/16	81 13/16
KTPRO096-00	96"	95 15/16	93 13/16
KTPRO108-00	108"	107 15/16	105 13/16
KTPRO120-00	120"	119 15/16	117 13/16
KTPRO144-00	144"	143 15/16	141 13/16

Electrical Installation



Project

Location

Architect

Engineer



Jun-18
Lit # L6035

KITCHEN TECH PRO Series (Unheated)



250 West Laurel Street • Colton • CA • 92324
909.825.0093 • www.wfc-fc.com

PROJECT: _____

DRWG.: _____

ENGINEER/ARCHITECT: _____

CONTRACTOR: _____

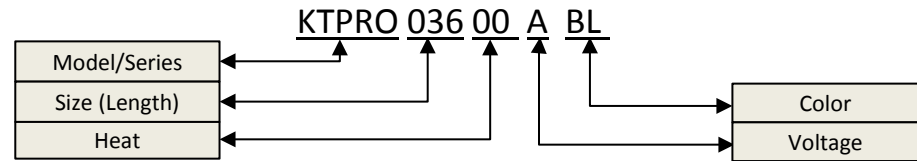
PAGE: _____ OF _____

DATE: _____

MODEL	LENGTH	WEIGHT (LBS)	MOTOR DATA										REMARKS
			MOTOR HP	MOTOR RPM	Qty Motors	FLA* SINGLE PHASE		FLA* THREE PHASE		MAX FPM At Nozzle	MAX CFM	Free Air CFM	
						115V	208/230V	208/230V	460V				
KTPRO036-00	36"	69	1/2	1,650	1	9.0	5.0/5.0	3.3/3.2	1.6	4,225	2,500	1,350	
KTPRO042-00	42"	75	1/2	1,650	1	9.0	5.0/5.0	3.3/3.2	1.6	3,925	2,900	1,290	
KTPRO048-00	48"	79	1/2	1,650	1	9.0	5.0/5.0	3.3/3.2	1.6	4,700	3,925	1,525	
KTPRO064-00	64"	117	1/2	1,650	2	18.0	10.0/10.0	6.6/6.4	3.2	4,000	4,375	2,550	
KTPRO072-00	72"	132	1/2	1,650	2	18.0	10.0/10.0	6.6/6.4	3.2	4,025	5,300	2,580	
KTPRO084-00	84"	154	1/2	1,650	2	18.0	10.0/10.0	6.6/6.4	3.2	3,925	5,800	2,580	
KTPRO096-00	96"	176	1/2	1,650	2	18.0	10.0/10.0	6.6/6.4	3.2	4,700	7,850	3,050	
KTPRO108-00	108"	201	1/2	1,650	3	27.0	15.0/15.0	9.9/9.6	4.8	4,000	8,750	3,930	
KTPRO120-00	120"	223	1/2	1,650	3	27.0	15.0/15.0	9.9/9.6	4.8	4,700	9,225	4,105	
KTPRO144-00	144"	264	1/2	1,650	4	36.0	20.0/20.0	13.2/12.8	6.4	4,025	10,600	5,160	

- Operation at 50 Hz will generate approximately a 17% reduction in performance
- Rated data shown for unheated units
- **EQUIPMENT SPECIFICATIONS** – Standard features, other options available
- **GENERAL DESCRIPTION**– Air curtains are to be Kitchen Tech Pro models, made by Williams Comfort Products
- **CABINET** – Constructed of heavy-gauge galvanized steel, treated with a powder-coated epoxy finish for corrosion resistance. Designed for easy access to filter and for service maintenance. Equipped with easily adjustable aluminum vanes for the most efficient air flow as needed. Easy direct-wall mount (key slots) or top threaded-rod installation option. Available in stainless, white, black and custom colors.
- **MOTORS & FAN WHEELS** – Motors are 1/2 HP; galvanized wheels and a housing fabricated of galvanized durable steel.
- **ELECTRICAL**– All motor leads are terminated in an internal, watertight junction box (1) per motor.
- **APPROVALS** – Air curtains meet the requirements of the National Electric Code and are ETL certified to UL Standard 1995. Meets NSF standards for food service areas.
- **ACCESSORIES** – Please see options and accessories page

*For capacity, multiply FLA x 1.25



Size	Code	Color	Code	Voltage	Code	Heat Options
36"	036			115/1	A	
42"	042			208/1	C	
48"	048			230/1	D	
64"	064			208/3	G	
72"	072			230/3	H	
84"	084			460/3	L	
96"	096	White	WH			See Heated Submittal
108"	108	Black	BL			
120"	120	Stainless	SS			
144"	144					

(60Hz)

KITCHEN TECH PRO Series - (Unheated)



WARNING This product can expose you to chemicals including epichlorohydrin which is known to the State of California to cause cancer and birth defects and/or other reproductive harm. For more information go to www.p65warnings.ca.gov



250 West Laurel Street ▪ Colton ▪ CA ▪ 92324
909.825.0093 ▪ www.wfc-fc.com