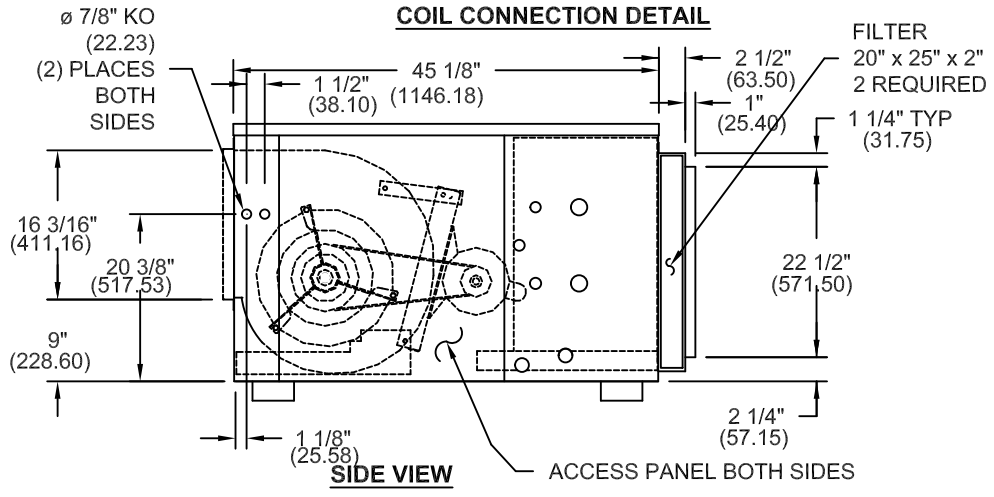
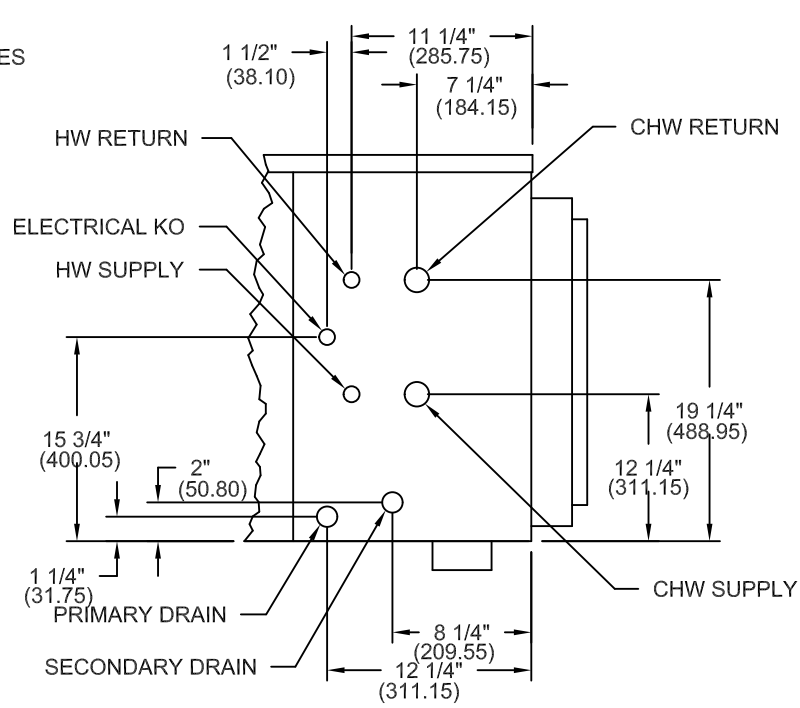
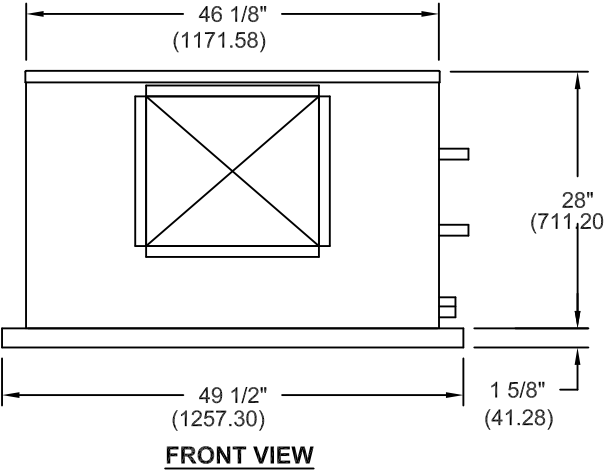
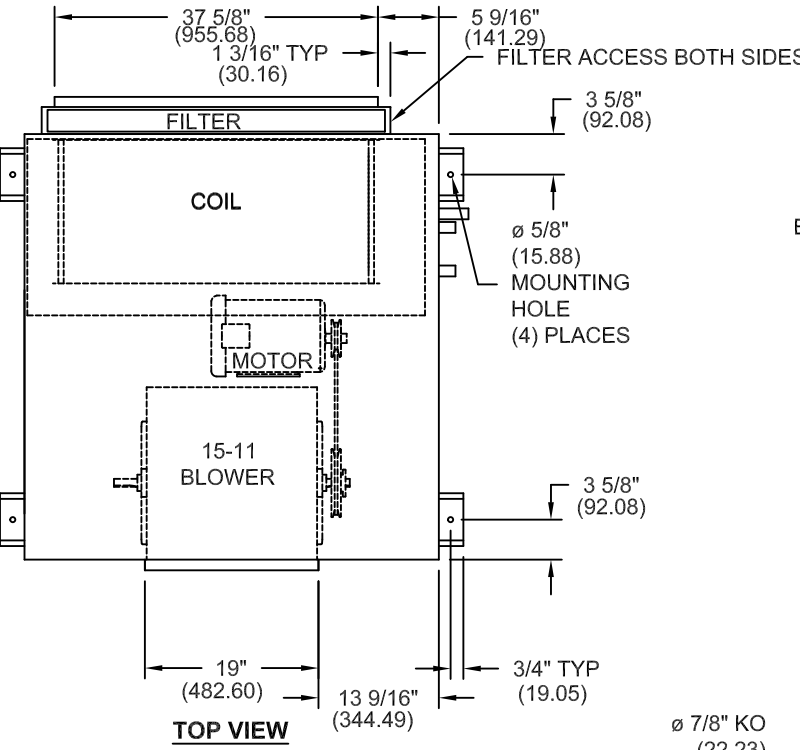
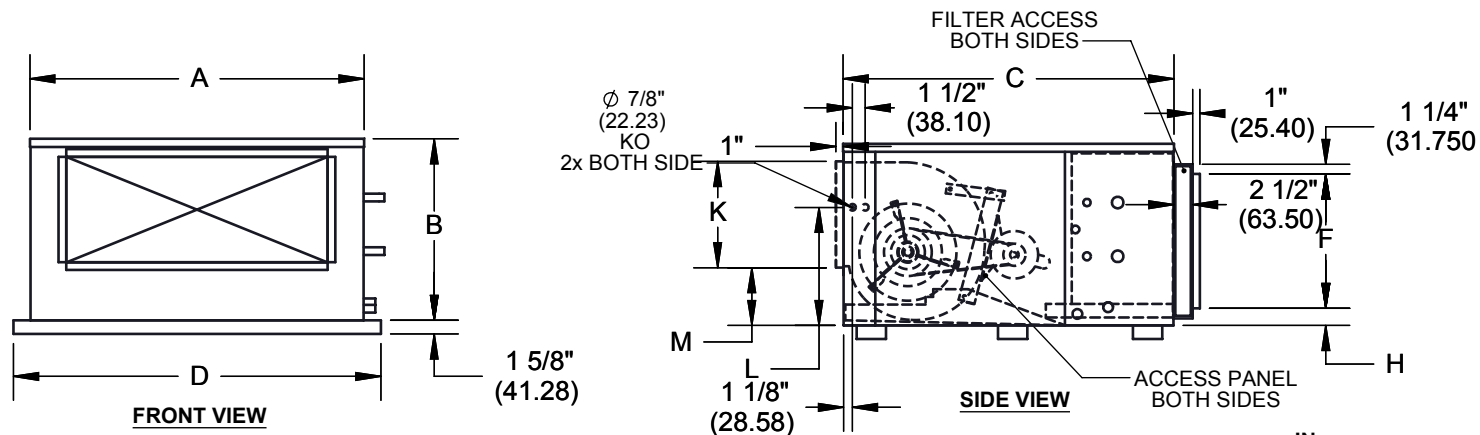
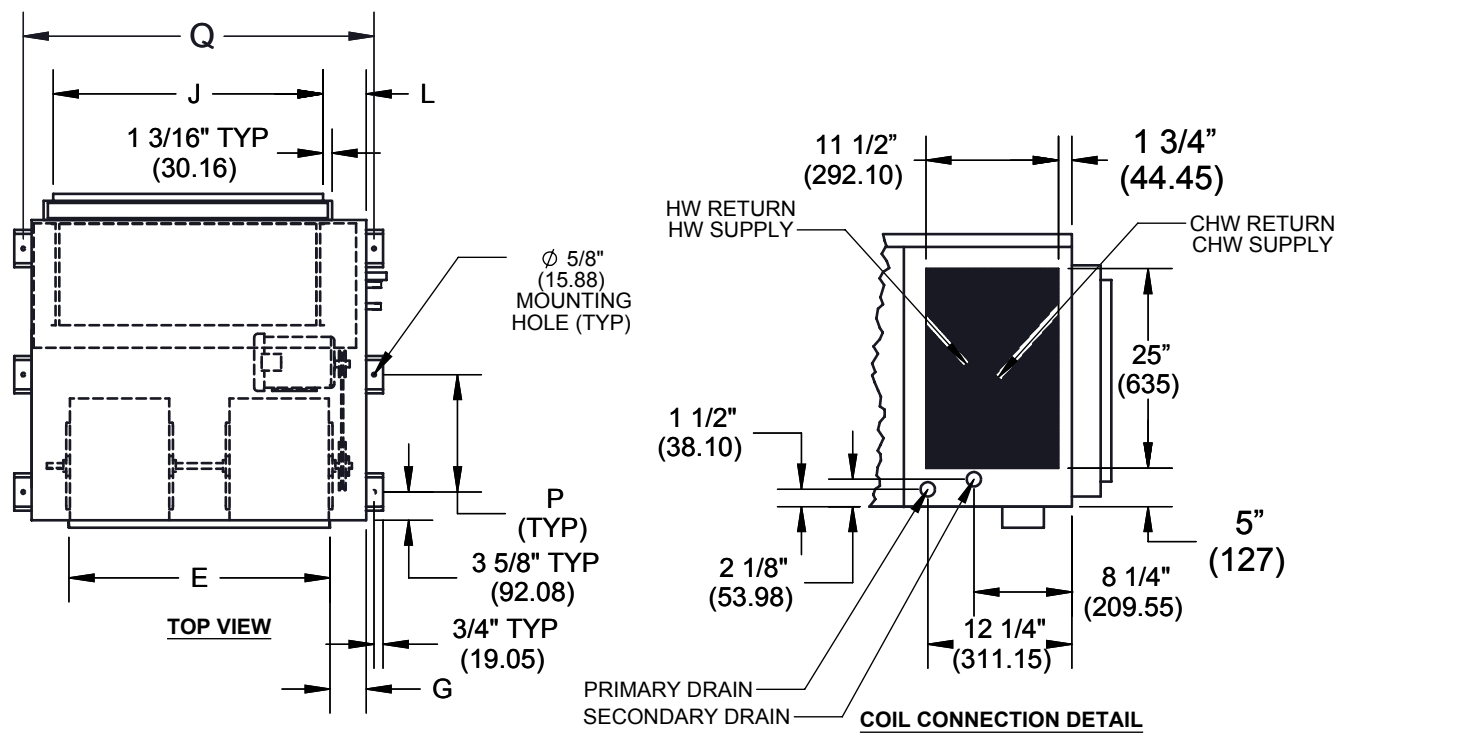


IN (MM) RIGHT HAND SHOWN

MODEL	A	B	C	D	E	F	G	H	J	K	L	FILTER SIZE
800	24 1/8"	20 1/4"	27 1/2"	8 3/4"	11 3/4"	7 11/16"	6"	18"	3 3/8"	1 1/4"	12 3/4"	(1) 20x20x2
MM	612.78	514.35	698.50	222.25	298.45	195.26	152.40	457.20	85.73	31.75	323.85	
1200	30 1/8"	20 1/4"	33 1/2"	13 1/2"	11 3/4"	8 5/16"	6 9/16"	23"	3 1/2"	1 1/4"	12 3/4"	(1) 20x25x2
MM	765.18	514.35	850.90	342.90	298.45	211.14	166.69	584.20	88.90	31.75	323.85	
1600	38 1/8"	20 1/4"	41 1/2"	13 1/2"	12 3/4"	12 5/16"	6 1/8"	30 3/4"	3 7/8"	1 1/4"	12 3/4"	(2) 16x20x2
MM	968.38	514.35	1054.10	342.90	323.85	312.74	155.58	781.05	98.43	31.75	323.85	
2000	38 1/8"	23 1/2"	41 1/2"	16"	13 7/8"	11 1/16"	7"	30 3/4"	3 7/8"	2 1/4"	16"	(2) 16x20x2
MM	968.38	596.90	1054.10	406.40	352.43	280.99	177.80	781.05	98.43	57.15	406.40	



AH 030, RIGHT HAND SHOWN
IN
(MM)



MODEL	A	B	C	D	E	F	G	H	J	K	L	M	N	P	Q	QTY BLOWER
040	58 1/8	27 7/8	45 1/4	61 1/2	44 7/8	22 1/2	6 5/8	2 1/4	50 3/16	13 7/8	4 3/4	7 1/2	20 3/8	19	60	2
MM	1476.38	708.03	1149.35	1562.10	1139.83	571.50	168.28	57.15	1274.76	352.43	120.65	190.50	517.53	482.60	1524.00	
050	71 1/8	27 7/8	45 1/4	74 1/2	44 7/8	22 1/2	10 1/8	2 1/4	62 3/16	13 7/8	8 1/4	7 1/2	20 3/8	19	73	2
MM	1806.58	708.03	1149.35	1892.30	1139.83	571.50	257.18	57.15	1579.56	352.43	209.55	190.50	517.53	482.60	1854.20	
060	85 1/8	27 7/8	45 1/4	88 1/2	54 7/8	22 1/2	12 1/8	2 1/4	75 1/4	16 1/4	6 3/4	7 7/8	20 3/8	19	87	2
MM	2162.18	708.03	1149.35	2247.90	1393.83	571.50	307.98	57.15	1911.35	412.75	171.45	200.03	517.53	482.60	2209.80	
080	85 1/8	35 1/4	45 1/4	88 1/2	54 7/8	29 7/8	12 1/8	2 1/4	76 3/4	16 1/4	6 3/4	9	27 5/8	19	87	2
MM	2162.18	895.35	1149.35	2247.90	1393.83	758.83	307.98	57.15	1949.45	412.75	171.45	228.60	701.68	482.60	2209.80	
100	105 3/8	35 1/4	45 1/4	108 1/2	54 7/8	30 1/2	20 3/8	2 1/4	92 3/4	16 1/4	10 1/8	9	27 5/8	19	107	2
MM	2676.53	895.35	1149.35	2755.90	1393.83	774.70	517.53	57.15	2355.85	412.75	257.18	228.60	701.68	482.60	2717.80	
120	116 3/8	35 1/4	45 1/4	120	54 7/8	30 1/2	30 3/4	2 1/4	104 1/2	16 1/4	10 1/8	9	27 5/8	19	118.5	2
MM	2955.93	895.35	1149.35	3048.00	1393.83	774.70	781.05	57.15	2654.30	412.75	257.18	228.60	701.68	482.60	3009.90	

D101303

If the unit has Electric Heat, the Duct Heater is shipped loose and field mounted.

- Right-hand unit shown, left-hand unit opposite.
- Coil connections determined by facing the supply-air opening.
- Electrical junction box is located on the same side as the coil connections.
- Unit must be installed level and condensate drain lines should be trapped.
- Drain pan is powder-coated epoxy with a 1/4" thick closed-cell insulation and has 3/4" to 1" NPT primary and (Optional) secondary drain connections.
- Entire cabinet, scroll and blower wheel are heavy-gauge, galvanized steel.
- Coil connections: range from 1/2" to 2". See Specification Guide.