



Performance Summary - Unit 2 , FCU



C018DHB411R000

High Performance Horizontal Ceiling Concealed (C) - 018, 120/1/60, 4/1 Coil, Right Hand, 4R10C Cool, DX R-410A, 1R2C Heat in Pre-Heat (C018DHB411R000)

The low profile and flexible design of the Horizontal Basic fan coil is the right choice for multiple applications where high static performance is required. The slim compact design is well suited for drop-ceiling closet hallway and other concealed applications.

Performance Calculations are at an altitude of 0.00 feet

Fan Performance

Motor Voltage: 120/1/60 Motor Type: Standard

External Static: 0.00 InWC

Airflow at High Speed: 2,005 cfm

Cooling Coil Performance - 4 rows, 10 circuit, 12 fins/inch

Entering Dry Bulb:	80.00 °F	Leaving Dry Bulb:	61.7 °F
Entering Wet Bulb:	67.00 °F	Leaving Wet Bulb:	60.8 °F
Refrigerant Type:	R-410A		
EAT Dew Point:	60.4 °F	Leaving Fluid Temp:	0.0 °F
		Suction Temp:	45.00 °F
		Total Cooling Capacity:	40,079 BTUH
		Sensible Cooling Capacity:	40,079 BTUH

Heating Coil Performance - 1 rows, 2 circuit, 12 fins/inch

Entering Dry Bulb:	70.00 °F	Leaving Dry Bulb:	97.8 °F
Fluid Type:	Water	Flow Rate:	3.1 GPM
Entering Fluid Temp:	180.00 °F	Leaving Fluid Temp:	140.0°F
		Fluid Pressure Drop:	2.1 FtWC
		Total Heating Capacity:	61,301 BTUH

Williams high performance horizontal concealed fan coils are labeled and approved by the Air-Conditioning, Heating & Refrigeration Institute (AHRI). This designation signifies that Williams horizontal fan coil units have been rated as follows in accordance with the latest edition of ANSI/AHRI 440 with Addendum 1 Performance Rating of Room Fan Coils and subject to rating accuracy by AHRI sponsored, independent, third-party testing.



Base Unit Summary - Unit 2 , FCU

C018DHB411R000

High Performance Horizontal Ceiling Concealed (C) - 018, 120/1/60, 4/1 Coil, Right Hand, 4R10C Cool, DX R-410A, 1R2C Heat in Pre-Heat (C018DHB411R000)



The low profile and flexible design of the Horizontal Basic fan coil is the right choice for multiple applications where high static performance is required. The slim compact design is well suited for drop-ceiling closet hallway and other concealed applications.

Unit Application - Fan Coil
Cabinet Style (Model) - [HP Horizontal Ceiling Concealed \(C\)](#)
Unit Size - [018](#)
Sales Program - [Standard](#)
System Type - [Heat and Cool](#)
System Configuration - [DX Cool with Hydronic Heat](#)
Motor Type - [Standard](#)
Motor Voltage/Freq/Phase - [120/1/60](#)
Motor Count - [2](#)

Supply - [Front Ducted](#)
Return - [Open](#)
Wall Type - [Single Wall](#)
Insulation - [None](#)
Finish - [Galvanized](#)
Motor Watts - [768](#)

Hand - [Right](#)
Electrical Hand - [Left](#)
Cooling Rows Deep - [4](#)
Cooling Circuiting - [10](#)
Heating Rows Deep - [1](#)
Heating Circuiting - [2](#)
Heating Air Vent - [Manual](#)
Fins Per Inch - [12](#)
Heating Sequence - [Pre-Heat](#)
Fin/Casing Material - [Aluminum/Galvanized](#)

Drain Pan - [Powder Coated Galvanized](#)

Cooling Coil Connection Size: [3/4](#)
Heating Coil Connection Size: [1/2](#)

Shipping Weight - [283 lbs](#)
Operating Weight - [253 lbs](#)

Unit Revision Level - [A](#)

Circuit Wiring - [Single Power Source](#)



Valve Summary - Unit 2 , FCU

C018DHB411R000

High Performance Horizontal Ceiling Concealed (C) - 018, 120/1/60, 4/1 Coil, Right Hand, 4R10C Cool, DX R-410A, 1R2C Heat in Pre-Heat (C018DHB411R000)

Cooling Valve Package

Valve Package Size - **None**

Valve Actuator - **None**

Supply Service Fittings - **None**

Strainer - **None**

Supply Isolation Valve - **None**

Coil Connection - **Swage**

2 & 3-Way Close-Off Pressure - **None**

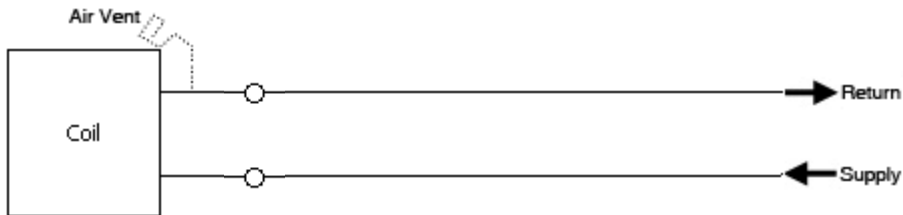
Valve Body - **None**

Water Flow Balancing - **None**

Fixed Flow GPM - **N/A**

Return Service Fittings - **None**

Return Isolation Valve - **None**





Valve Summary - Unit 2 , FCU

C018DHB411R000

High Performance Horizontal Ceiling Concealed (C) - 018, 120/1/60, 4/1 Coil, Right Hand, 4R10C Cool, DX R-410A, 1R2C Heat in Pre-Heat (C018DHB411R000)

Heating Valve Package

Valve Package Size - **None**

Valve Actuator - **None**

Supply Service Fittings - **None**

Strainer - **None**

Supply Isolation Valve - **None**

Coil Connection - **Swage**

2 & 3-Way Close-Off Pressure - **None**

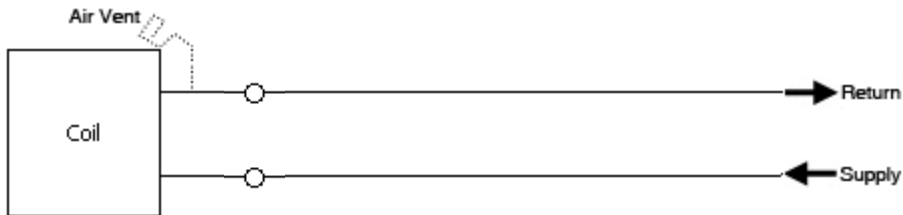
Valve Body - **None**

Water Flow Balancing - **None**

Fixed Flow GPM - **N/A**

Return Service Fittings - **None**

Return Isolation Valve - **None**





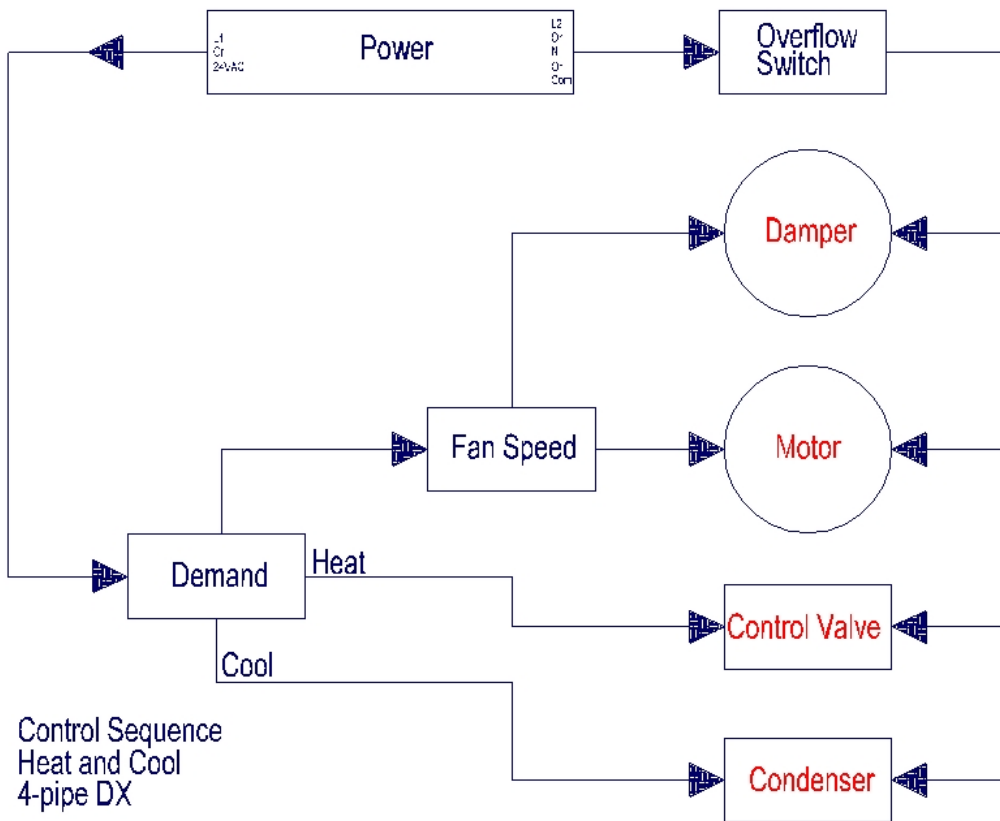
Control Summary - Unit 2 , FCU

C018DHB411R000

High Performance Horizontal Ceiling Concealed (C) - 018, 120/1/60, 4/1 Coil, Right Hand, 4R10C Cool, DX R-410A, 1R2C Heat in Pre-Heat (C018DHB411R000)

Control Voltage - [Line Voltage](#)
Thermostat/Humidistat - [None](#)
Control Option - [Stat By Others](#)
Fan Function - [N/A](#)
Pipe Sensor - [None](#)
Remote Air Sensor - [No](#)
Misc. Options - [None](#)

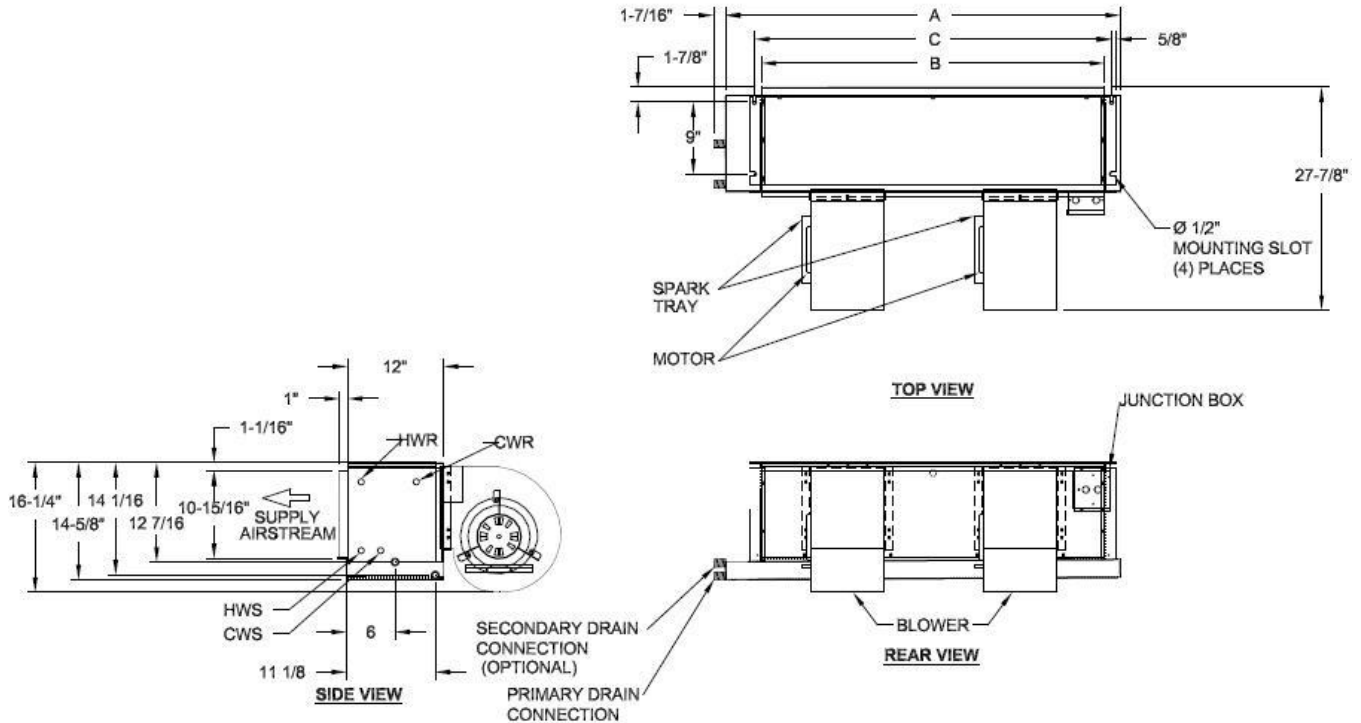
Fan Switch - [None](#)
Thermostat Orientation - [NA](#)
Terminal Strip - [No](#)
Service Switch - [No](#)
Circuit Wiring - [Single Power Source](#)
Incoming Power Fusing - [No](#)
Condensate Float Switch - [No](#)



Standard Drawing - Unit 2 , FCU

C018DHB411R000

High Performance Horizontal Ceiling Concealed (C) - 018, 120/1/60, 4/1 Coil, Right Hand, 4R10C Cool, DX R-410A, 1R2C Heat in Pre-Heat (C018DHB411R000)



Model	CFM	RIGHT HAND SHOWN		
		A	B	C
015	1500	43-1/2	37	38-3/4
018	1800	49-1/2	43	44-3/4
022	2200	55-1/2	49	50-3/4

49A0007

- Right-hand unit shown, left-hand unit opposite.
- Coil connections determined by facing the supply-air opening.
- Electrical junction box is located on the opposite side as the coil connections.
- Unit must be installed level and condensate drain lines should be trapped.