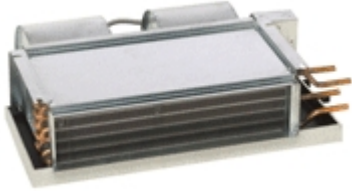




## Performance Summary - Unit 3 , FCU



**H004W2B301R000**  
**Horizontal Ceiling Concealed (H) - 004, 120/1/60, 3/0 Coil, Right Hand, 3R2C Cool (H004W2B301R000)**

The low profile and flexible design of the Horizontal Basic fan coil is ideal for multiple applications. The slim compact design is well suited for drop-ceiling closet hallway and other concealed applications.

**Performance Calculations are at an altitude of 0.00 feet**

---

### Fan Performance

Motor Voltage: 120/1/60                      Motor Type: Standard

External Static: 0.00 InWC

**Airflow at High Speed: 477 cfm**

### Cooling Coil Performance - 3 rows, 2 circuit, 12 fins/inch

Entering Dry Bulb:	80.00 °F	Leaving Dry Bulb:	57.0 °F
Entering Wet Bulb:	67.00 °F	Leaving Wet Bulb:	56.8 °F
Fluid Type:	Water	Flow Rate:	3.1 GPM
Entering Fluid Temp:	45.00 °F	Leaving Fluid Temp:	55.0 °F
EAT Dew Point:	60.4 °F	Fluid Pressure Drop:	3.0 FtWC

**Total Cooling Capacity: 15,254 BTUH**

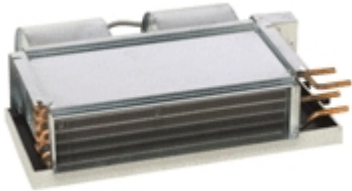
**Sensible Cooling Capacity: 12,018 BTUH**



## Base Unit Summary - Unit 3 , FCU

**H004W2B301R000**

**Horizontal Ceiling Concealed (H) - 004, 120/1/60, 3/0 Coil, Right Hand, 3R2C Cool (H004W2B301R000)**



The low profile and flexible design of the Horizontal Basic fan coil is ideal for multiple applications. The slim compact design is well suited for drop-ceiling closet hallway and other concealed applications.

Unit Application - Fan Coil

Cabinet Style (Model) - [Horizontal Ceiling Concealed \(H\)](#)

Unit Size - [004](#)

Sales Program - [Standard](#)

System Type - [Cool Only](#)

System Configuration - [2-pipe Hydronic](#)

Motor Type - [Standard](#)

Motor Voltage/Freq/Phase - [120/1/60](#)

Motor Count - [1](#)

Supply - [Front Ducted](#)

Return - [Open](#)

Wall Type - [Single Wall](#)

Insulation - [None](#)

Finish - [Galvanized](#)

Motor Watts - [216](#)

Hand - [Right](#)

Electrical Hand - [Left](#)

Cooling Rows Deep - [3](#)

Cooling Circuiting - [2](#)

Cooling Air Vent - [Manual](#)

Fins Per Inch - [12](#)

Fin/Casing Material - [Aluminum/Galvanized](#)

Drain Pan - [Powder Coated Galvanized](#)

Shipping Weight - [120 lbs](#)

Operating Weight - [93 lbs](#)

Cooling Coil Connection Size: [1/2](#)

Heating Coil Connection Size: [na](#)

Unit Revision Level - [B](#)

Circuit Wiring - [Single Power Source](#)



## Valve Summary - Unit 3 , FCU

H004W2B301R000

Horizontal Ceiling Concealed (H) - 004, 120/1/60, 3/0 Coil, Right Hand, 3R2C Cool (H004W2B301R000)

### Cooling Valve Package

Valve Package Size - None

Valve Actuator- None

Supply Service Fittings - None

Strainer - None

Supply Isolation Valve - None

Coil Connection - Swage

2 & 3-Way Close-Off Pressure - None

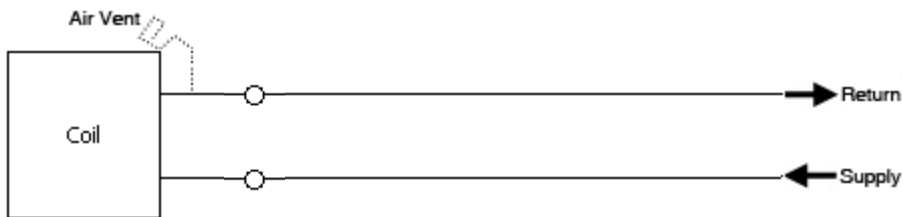
Valve Body - None

Water Flow Balancing -None

Fixed Flow GPM - N/A

Return Service Fittings - None

Return Isolation Valve - None





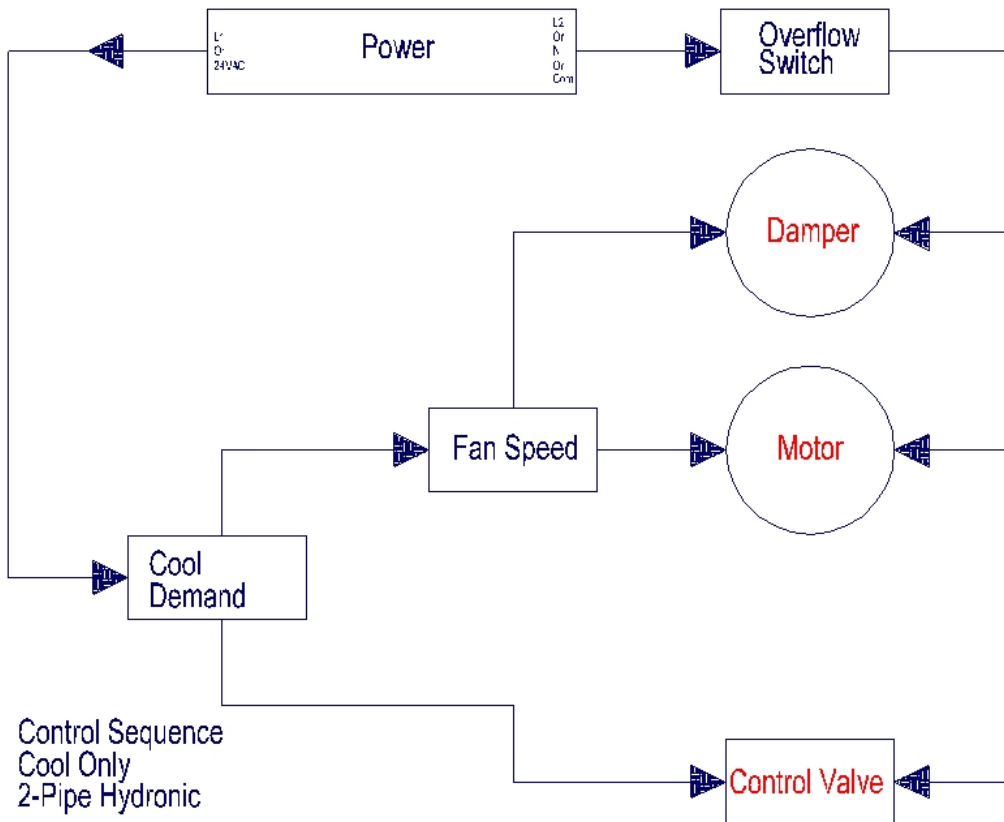
## Control Summary - Unit 3 , FCU

**H004W2B301R000**

**Horizontal Ceiling Concealed (H) - 004, 120/1/60, 3/0 Coil, Right Hand, 3R2C Cool (H004W2B301R000)**

Control Voltage - **Line Voltage**  
Thermostat/Humidistat - **None**  
Control Option - **Stat By Others**  
Fan Function - **N/A**  
Pipe Sensor - **None**  
Remote Air Sensor - **No**  
Misc. Options - **None**

Fan Switch - **None**  
Thermostat Orientation - **NA**  
Terminal Strip - **No**  
Service Switch - **No**  
Circuit Wiring - **Single Power Source**  
Incoming Power Fusing - **No**  
Condensate Float Switch - **No**



## Standard Drawing - Unit 3 , FCU

H004W2B301R000

Horizontal Ceiling Concealed (H) - 004, 120/1/60, 3/0 Coil, Right Hand, 3R2C Cool (H004W2B301R000)

