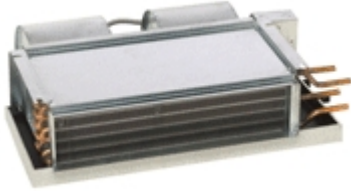




## Performance Summary - Unit 10 , FCU



### H006DHB312R000

Horizontal Ceiling Concealed (H) - 006, 208/1/60, 3/1 Coil, Right Hand, 3R2C Cool, DX R-410A, 1R1C Heat in Pre-Heat (H006DHB312R000)

The low profile and flexible design of the Horizontal Basic fan coil is ideal for multiple applications. The slim compact design is well suited for drop-ceiling closet hallway and other concealed applications.

Performance Calculations are at an altitude of 0.00 feet

### Fan Performance

Motor Voltage: 208/1/60 Motor Type: Standard

External Static: 0.00 InWC

Airflow at High Speed: 639 cfm

### Cooling Coil Performance - 3 rows, 2 circuit, 12 fins/inch

Entering Dry Bulb:	80.00 °F	Leaving Dry Bulb:	54.2 °F
Entering Wet Bulb:	67.00 °F	Leaving Wet Bulb:	54.1 °F
Refrigerant Type:	R-410A		
EAT Dew Point:	60.4 °F	Leaving Fluid Temp:	0.0 °F
		Suction Temp:	45.00 °F
		<b>Total Cooling Capacity:</b>	<b>25,314 BTUH</b>
		<b>Sensible Cooling Capacity:</b>	<b>18,021 BTUH</b>

### Heating Coil Performance - 1 rows, 1 circuit, 12 fins/inch

Entering Dry Bulb:	70.00 °F	Leaving Dry Bulb:	112.5 °F
Fluid Type:	Water	Flow Rate:	1.5 GPM
Entering Fluid Temp:	180.00 °F	Leaving Fluid Temp:	140.0°F
		Fluid Pressure Drop:	1.7 FtWC
		<b>Total Heating Capacity:</b>	<b>29,876 BTUH</b>



## Base Unit Summary - Unit 10 , FCU

**H006DHB312R000**

**Horizontal Ceiling Concealed (H) - 006, 208/1/60, 3/1 Coil, Right Hand, 3R2C Cool, DX R-410A, 1R1C Heat in Pre-Heat (H006DHB312R000)**



The low profile and flexible design of the Horizontal Basic fan coil is ideal for multiple applications. The slim compact design is well suited for drop-ceiling closet hallway and other concealed applications.

Unit Application - Fan Coil

Cabinet Style (Model) - **Horizontal Ceiling Concealed (H)**

Unit Size - **006**

Sales Program - **Standard**

System Type - **Heat and Cool**

System Configuration - **DX Cool with Hydronic Heat**

Motor Type - **Standard**

Motor Voltage/Freq/Phase - **208/1/60**

Motor Count - **1**

Supply - **Front Ducted**

Return - **Open**

Wall Type - **Single Wall**

Insulation - **None**

Finish - **Galvanized**

Motor Watts - **146**

Hand - **Right**

Electrical Hand - **Left**

Cooling Rows Deep - **3**

Cooling Circuiting - **2**

Heating Rows Deep - **1**

Heating Circuiting - **1**

Heating Air Vent - **Manual**

Fins Per Inch - **12**

Heating Sequence - **Pre-Heat**

Fin/Casing Material - **Aluminum/Galvanized**

Drain Pan - **Powder Coated Galvanized**

Shipping Weight - **160 lbs**

Operating Weight - **125 lbs**

Cooling Coil Connection Size: **1/2**

Heating Coil Connection Size: **1/2**

Unit Revision Level - **B**

Circuit Wiring - **Single Power Source**



## Valve Summary - Unit 10 , FCU

**H006DHB312R000**

**Horizontal Ceiling Concealed (H) - 006, 208/1/60, 3/1 Coil, Right Hand, 3R2C Cool, DX R-410A, 1R1C Heat in Pre-Heat (H006DHB312R000)**

### Cooling Valve Package

Valve Package Size - **None**

Valve Actuator- **None**

Supply Service Fittings - **None**

Strainer - **None**

Supply Isolation Valve - **None**

Coil Connection - **Swage**

2 & 3-Way Close-Off Pressure - **None**

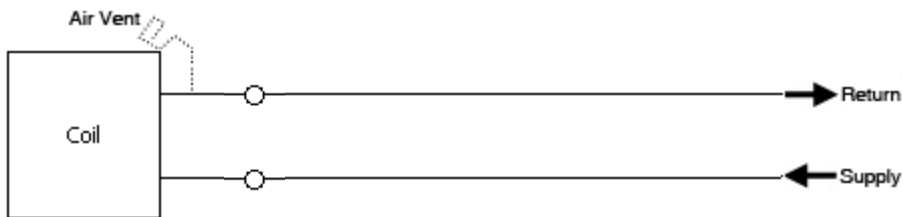
Valve Body - **None**

Water Flow Balancing - **None**

Fixed Flow GPM - **N/A**

Return Service Fittings - **None**

Return Isolation Valve - **None**





## Valve Summary - Unit 10 , FCU

H006DHB312R000

Horizontal Ceiling Concealed (H) - 006, 208/1/60, 3/1 Coil, Right Hand, 3R2C Cool, DX R-410A, 1R1C Heat in Pre-Heat (H006DHB312R000)

### Heating Valve Package

Valve Package Size - None

Valve Actuator - None

Supply Service Fittings - None

Strainer - None

Supply Isolation Valve - None

Coil Connection - Swage

2 & 3-Way Close-Off Pressure - None

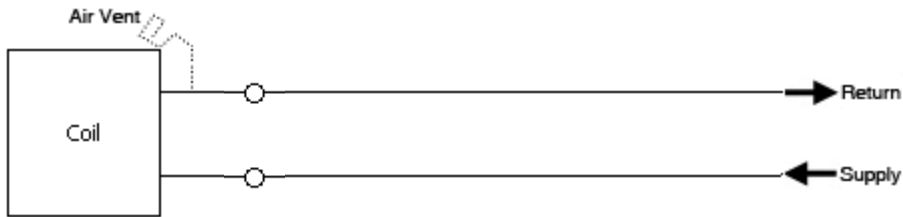
Valve Body - None

Water Flow Balancing - None

Fixed Flow GPM - N/A

Return Service Fittings - None

Return Isolation Valve - None





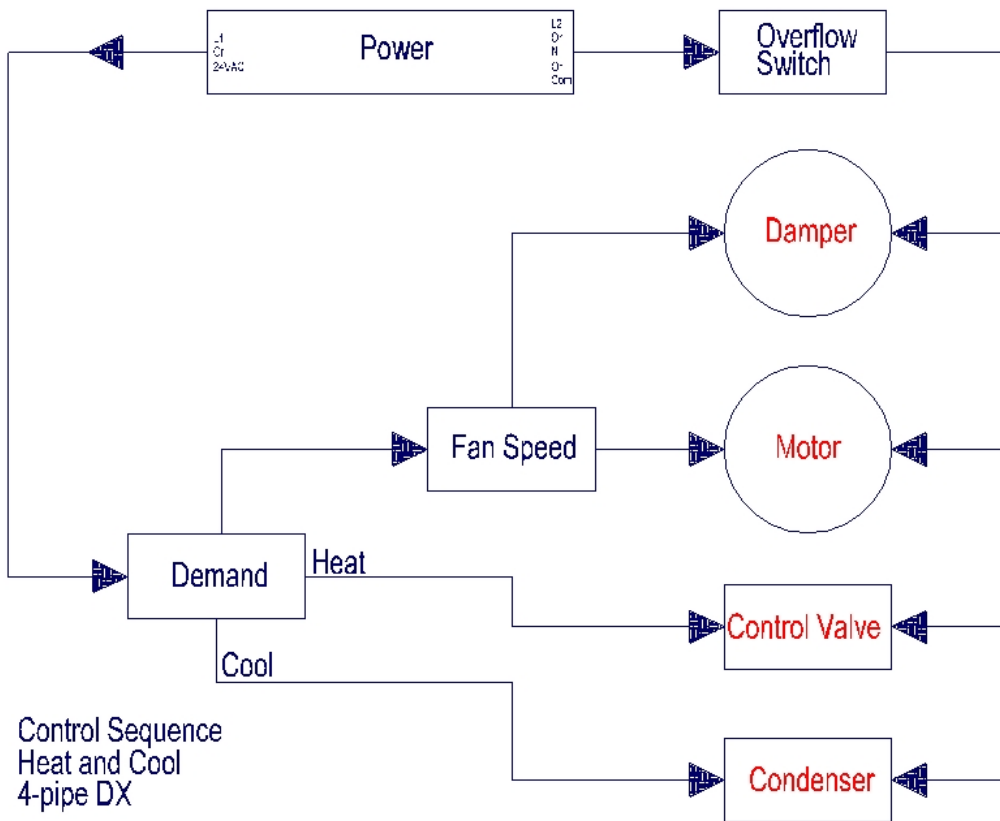
## Control Summary - Unit 10 , FCU

**H006DHB312R000**

**Horizontal Ceiling Concealed (H) - 006, 208/1/60, 3/1 Coil, Right Hand, 3R2C Cool, DX R-410A, 1R1C Heat in Pre-Heat (H006DHB312R000)**

Control Voltage - [Line Voltage](#)  
Thermostat/Humidistat - [None](#)  
Control Option - [Stat By Others](#)  
Fan Function - [N/A](#)  
Pipe Sensor - [None](#)  
Remote Air Sensor - [No](#)  
Misc. Options - [None](#)

Fan Switch - [None](#)  
Thermostat Orientation - [NA](#)  
Terminal Strip - [No](#)  
Service Switch - [No](#)  
Circuit Wiring - [Single Power Source](#)  
Incoming Power Fusing - [No](#)  
Condensate Float Switch - [No](#)



## Standard Drawing - Unit 10 , FCU

H006DHB312R000

Horizontal Ceiling Concealed (H) - 006, 208/1/60, 3/1 Coil, Right Hand, 3R2C Cool, DX R-410A, 1R1C Heat in Pre-Heat (H006DHB312R000)

