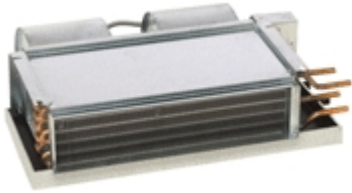




Performance Summary - Unit 9 , FCU



H006DXB302R052

Horizontal Ceiling Concealed (H) - 006, 208/1/60, 3/0 Coil, Right Hand, 3R2C Cool, DX R-410A (H006DXB302R052)

The low profile and flexible design of the Horizontal Basic fan coil is ideal for multiple applications. The slim compact design is well suited for drop-ceiling closet hallway and other concealed applications.

Performance Calculations are at an altitude of 0.00 feet

Fan Performance

Motor Voltage: 208/1/60 Motor Type: Standard

External Static: 0.00 InWC

Airflow at High Speed: 644 cfm

Cooling Coil Performance - 3 rows, 2 circuit, 12 fins/inch

Entering Dry Bulb:	80.00 °F	Leaving Dry Bulb:	54.2 °F
Entering Wet Bulb:	67.00 °F	Leaving Wet Bulb:	54.1 °F
Refrigerant Type:	R-410A		
EAT Dew Point:	60.4 °F	Leaving Fluid Temp:	0.0 °F
		Suction Temp:	45.00 °F
		Total Cooling Capacity:	25,470 BTUH
		Sensible Cooling Capacity:	18,144 BTUH

Electric Heat Performance - 5 kW

Electric Heat Voltage:	208 Volt	Entering Dry Bulb:	70.00 °F
Total Heating Capacity:	17,070 BTUH	Leaving Air Temp:	94.5 °F



Base Unit Summary - Unit 9 , FCU

H006DXB302R052

Horizontal Ceiling Concealed (H) - 006, 208/1/60, 3/0 Coil, Right Hand, 3R2C Cool, DX R-410A (H006DXB302R052)



The low profile and flexible design of the Horizontal Basic fan coil is ideal for multiple applications. The slim compact design is well suited for drop-ceiling closet hallway and other concealed applications.

Unit Application - Fan Coil

Cabinet Style (Model) - **Horizontal Ceiling Concealed (H)**

Unit Size - **006**

Sales Program - **Standard**

System Type - **Heat and Cool**

System Configuration - **DX Cool with Elec Heat**

Motor Type - **Standard**

Motor Voltage/Freq/Phase - **208/1/60**

Motor Count - **1**

Electric Heat Voltage - **208**

Electric Heat kW - **5**

Hand - **Right**

Electrical Hand - **Left**

Cooling Rows Deep - **3**

Cooling Circuiting - **2**

Fins Per Inch - **12**

Fin/Casing Material - **Aluminum/Galvanized**

Cooling Coil Connection Size: **1/2**

Heating Coil Connection Size: **na**

Unit Revision Level - **B**

Circuit Wiring - **Single Power Source**

Supply - **Front Ducted**

Return - **Open**

Wall Type - **Single Wall**

Insulation - **None**

Finish - **Galvanized**

Motor Watts - **146**

Drain Pan - **Powder Coated Galvanized**

Shipping Weight - **157 lbs**

Operating Weight - **121 lbs**



Valve Summary - Unit 9 , FCU

H006DXB302R052

Horizontal Ceiling Concealed (H) - 006, 208/1/60, 3/0 Coil, Right Hand, 3R2C Cool, DX R-410A
(H006DXB302R052)

Cooling Valve Package

Valve Package Size - None

Valve Actuator - None

Supply Service Fittings - None

Strainer - None

Supply Isolation Valve - None

Coil Connection - Swage

2 & 3-Way Close-Off Pressure - None

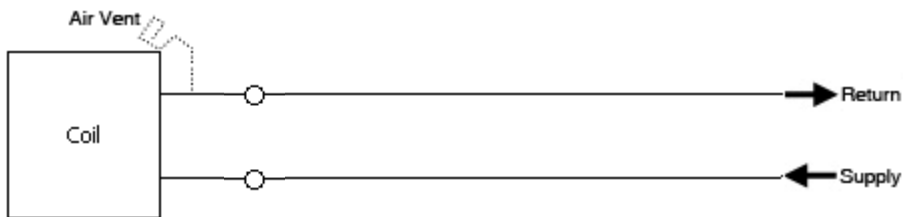
Valve Body - None

Water Flow Balancing - None

Fixed Flow GPM - N/A

Return Service Fittings - None

Return Isolation Valve - None





Valve Summary - Unit 9 , FCU

H006DXB302R052

Horizontal Ceiling Concealed (H) - 006, 208/1/60, 3/0 Coil, Right Hand, 3R2C Cool, DX R-410A
(H006DXB302R052)

Heating Valve Package

Valve Package Size - None

Valve Actuator - None

Supply Service Fittings - None

Strainer - None

Supply Isolation Valve - None

Coil Connection - Swage

2 & 3-Way Close-Off Pressure - None

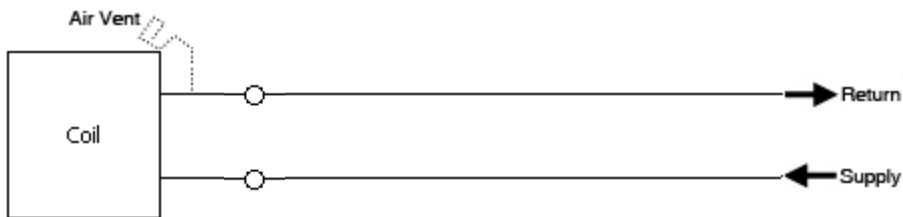
Valve Body - None

Water Flow Balancing - None

Fixed Flow GPM - N/A

Return Service Fittings - None

Return Isolation Valve - None





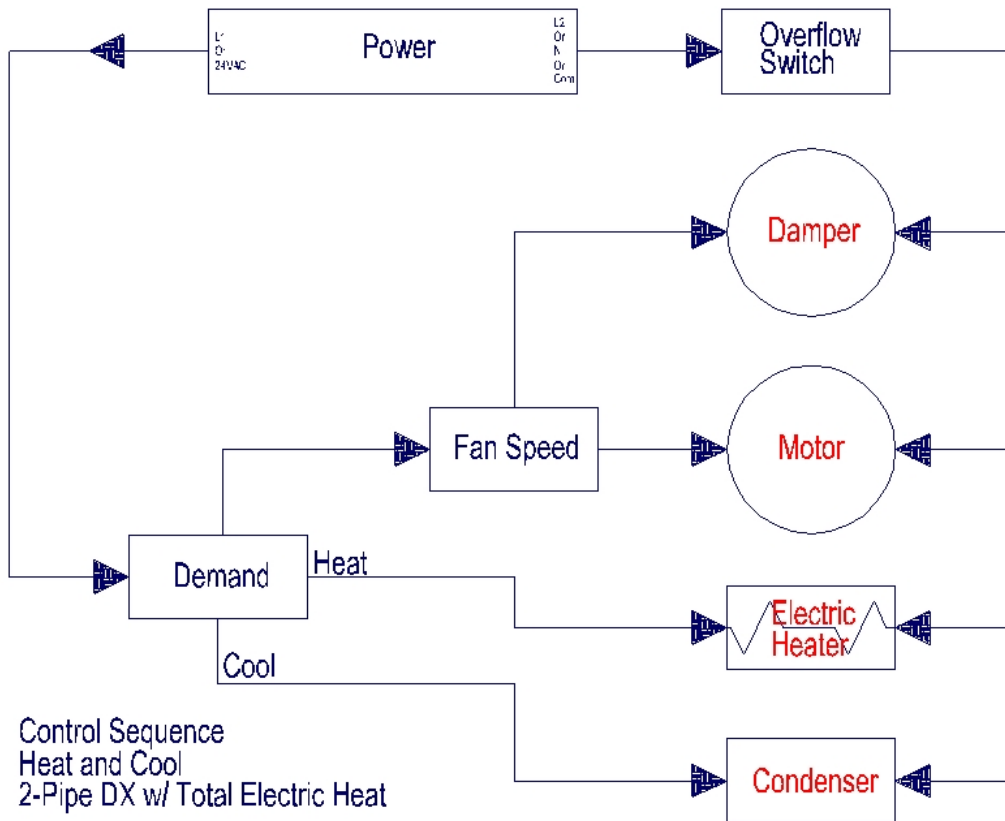
Control Summary - Unit 9 , FCU

H006DXB302R052

Horizontal Ceiling Concealed (H) - 006, 208/1/60, 3/0 Coil, Right Hand, 3R2C Cool, DX R-410A (H006DXB302R052)

Control Voltage - Line Voltage
Thermostat/Humidistat - None
Control Option - Stat By Others
Fan Function - N/A
Pipe Sensor - None
Remote Air Sensor - No
Misc. Options - None

Fan Switch - None
Thermostat Orientation - NA
Terminal Strip - No
Service Switch - No
Circuit Wiring - Single Power Source
Incoming Power Fusing - No
Condensate Float Switch - No



Standard Drawing - Unit 9 , FCU

H006DXB302R052

Horizontal Ceiling Concealed (H) - 006, 208/1/60, 3/0 Coil, Right Hand, 3R2C Cool, DX R-410A (H006DXB302R052)

