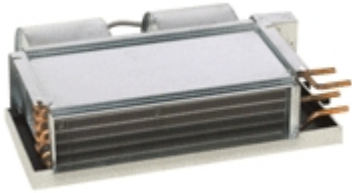




Performance Summary - Unit 6 , FCU



H006W2B301R000
Horizontal Ceiling Concealed (H) - 006, 120/1/60, 3/0 Coil, Right Hand, 3R3C Cool (H006W2B301R000)

The low profile and flexible design of the Horizontal Basic fan coil is ideal for multiple applications. The slim compact design is well suited for drop-ceiling closet hallway and other concealed applications.

Performance Calculations are at an altitude of 0.00 feet

Fan Performance

Motor Voltage: 120/1/60 Motor Type: Standard

External Static: 0.00 InWC

Airflow at High Speed: 644 cfm

Cooling Coil Performance - 3 rows, 3 circuit, 12 fins/inch

Entering Dry Bulb:	80.00 °F	Leaving Dry Bulb:	57.5 °F
Entering Wet Bulb:	67.00 °F	Leaving Wet Bulb:	57.4 °F
Fluid Type:	Water	Flow Rate:	3.9 GPM
Entering Fluid Temp:	45.00 °F	Leaving Fluid Temp:	55.0 °F
EAT Dew Point:	60.4 °F	Fluid Pressure Drop:	2.1 FtWC

Total Cooling Capacity: 19,646 BTUH

Sensible Cooling Capacity: 15,863 BTUH



Base Unit Summary - Unit 6 , FCU

H006W2B301R000

Horizontal Ceiling Concealed (H) - 006, 120/1/60, 3/0 Coil, Right Hand, 3R3C Cool (H006W2B301R000)



The low profile and flexible design of the Horizontal Basic fan coil is ideal for multiple applications. The slim compact design is well suited for drop-ceiling closet hallway and other concealed applications.

Unit Application - Fan Coil

Cabinet Style (Model) - [Horizontal Ceiling Concealed \(H\)](#)

Unit Size - [006](#)

Sales Program - [Standard](#)

System Type - [Cool Only](#)

System Configuration - [2-pipe Hydronic](#)

Motor Type - [Standard](#)

Motor Voltage/Freq/Phase - [120/1/60](#)

Motor Count - [1](#)

Supply - [Front Ducted](#)

Return - [Open](#)

Wall Type - [Single Wall](#)

Insulation - [None](#)

Finish - [Galvanized](#)

Motor Watts - [216](#)

Hand - [Right](#)

Electrical Hand - [Left](#)

Cooling Rows Deep - [3](#)

Cooling Circuiting - [3](#)

Cooling Air Vent - [Manual](#)

Fins Per Inch - [12](#)

Fin/Casing Material - [Aluminum/Galvanized](#)

Drain Pan - [Powder Coated Galvanized](#)

Shipping Weight - [157 lbs](#)

Operating Weight - [121 lbs](#)

Cooling Coil Connection Size: [1/2](#)

Heating Coil Connection Size: [na](#)

Unit Revision Level - [B](#)

Circuit Wiring - [Single Power Source](#)



Valve Summary - Unit 6 , FCU

H006W2B301R000

Horizontal Ceiling Concealed (H) - 006, 120/1/60, 3/0 Coil, Right Hand, 3R3C Cool (H006W2B301R000)

Cooling Valve Package

Valve Package Size - None

Valve Actuator- None

Supply Service Fittings - None

Strainer - None

Supply Isolation Valve - None

Coil Connection - Swage

2 & 3-Way Close-Off Pressure - None

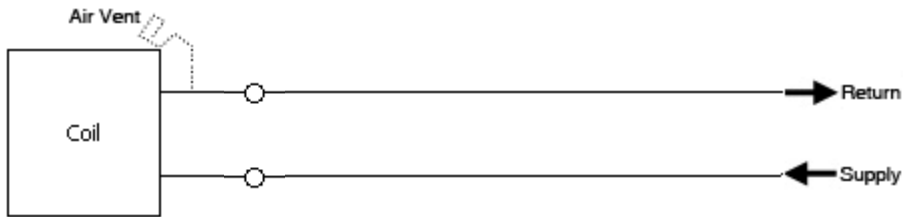
Valve Body - None

Water Flow Balancing -None

Fixed Flow GPM - N/A

Return Service Fittings - None

Return Isolation Valve - None





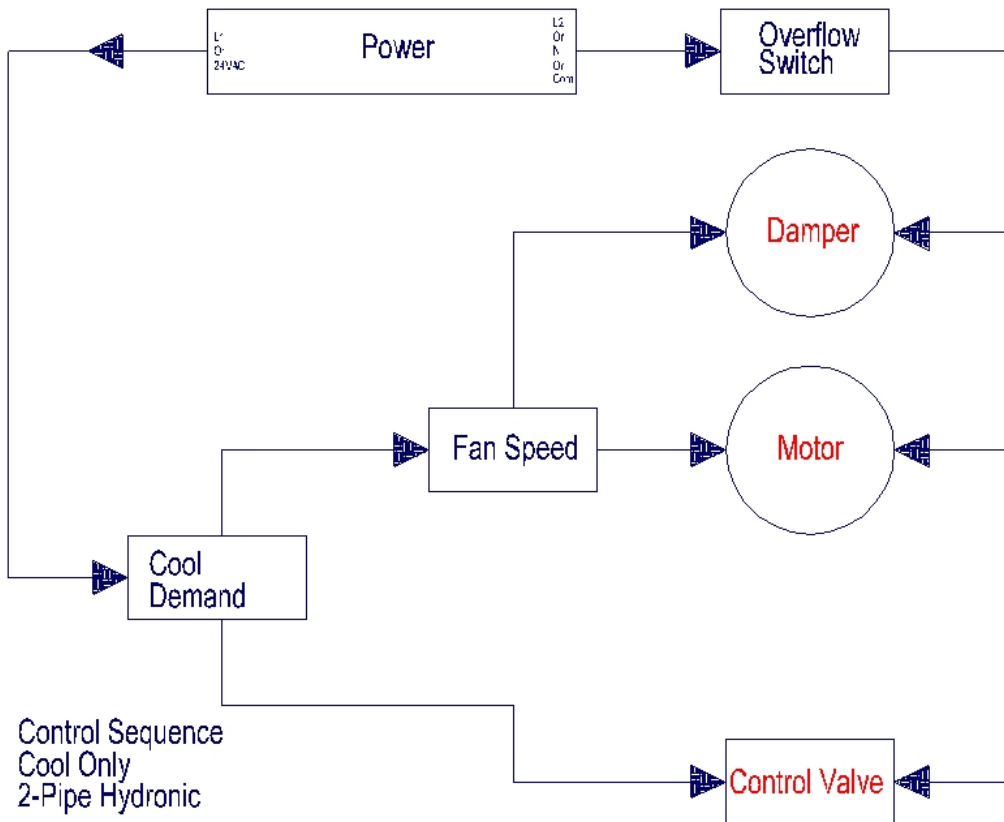
Control Summary - Unit 6 , FCU

H006W2B301R000

Horizontal Ceiling Concealed (H) - 006, 120/1/60, 3/0 Coil, Right Hand, 3R3C Cool (H006W2B301R000)

Control Voltage - **Line Voltage**
Thermostat/Humidistat - **None**
Control Option - **Stat By Others**
Fan Function - **N/A**
Pipe Sensor - **None**
Remote Air Sensor - **No**
Misc. Options - **None**

Fan Switch - **None**
Thermostat Orientation - **NA**
Terminal Strip - **No**
Service Switch - **No**
Circuit Wiring - **Single Power Source**
Incoming Power Fusing - **No**
Condensate Float Switch - **No**



Standard Drawing - Unit 6 , FCU

H006W2B301R000

Horizontal Ceiling Concealed (H) - 006, 120/1/60, 3/0 Coil, Right Hand, 3R3C Cool (H006W2B301R000)

