



## Performance Summary - Unit 7 , FCU



**H006W4B311R000**  
**Horizontal Ceiling Concealed (H) - 006, 120/1/60, 3/1 Coil, Right Hand, 3R3C Cool, 1R1C Heat (H006W4B311R000)**

The low profile and flexible design of the Horizontal Basic fan coil is ideal for multiple applications. The slim compact design is well suited for drop-ceiling closet hallway and other concealed applications.

**Performance Calculations are at an altitude of 0.00 feet**

### Fan Performance

Motor Voltage: 120/1/60                      Motor Type: Standard

External Static: 0.00 InWC

**Airflow at High Speed: 639 cfm**

### Cooling Coil Performance - 3 rows, 3 circuit, 12 fins/inch

Entering Dry Bulb:	80.00 °F	Leaving Dry Bulb:	57.5 °F
Entering Wet Bulb:	67.00 °F	Leaving Wet Bulb:	57.3 °F
Fluid Type:	Water	Flow Rate:	3.9 GPM
Entering Fluid Temp:	45.00 °F	Leaving Fluid Temp:	55.0 °F
EAT Dew Point:	60.4 °F	Fluid Pressure Drop:	2.1 FtWC

**Total Cooling Capacity: 19,534 BTUH**

**Sensible Cooling Capacity: 15,756 BTUH**

### Heating Coil Performance - 1 rows, 1 circuit, 12 fins/inch

Entering Dry Bulb:	70.00 °F	Leaving Dry Bulb:	112.5 °F
Fluid Type:	Water	Flow Rate:	1.5 GPM
Entering Fluid Temp:	180.00 °F	Leaving Fluid Temp:	140.0°F
		Fluid Pressure Drop:	1.7 FtWC

**Total Heating Capacity: 29,876 BTUH**



## Base Unit Summary - Unit 7 , FCU

**H006W4B311R000**

**Horizontal Ceiling Concealed (H) - 006, 120/1/60, 3/1 Coil, Right Hand, 3R3C Cool, 1R1C Heat (H006W4B311R000)**



The low profile and flexible design of the Horizontal Basic fan coil is ideal for multiple applications. The slim compact design is well suited for drop-ceiling closet hallway and other concealed applications.

Unit Application - Fan Coil  
Cabinet Style (Model) - **Horizontal Ceiling Concealed (H)**  
Unit Size - **006**  
Sales Program - **Standard**  
System Type - **Heat and Cool**  
System Configuration - **4-pipe Hydronic Cool & Heat**  
Motor Type - **Standard**  
Motor Voltage/Freq/Phase - **120/1/60**  
Motor Count - **1**

Supply - **Front Ducted**  
Return - **Open**  
Wall Type - **Single Wall**  
Insulation - **None**  
Finish - **Galvanized**  
Motor Watts - **216**

Hand - **Right**  
Electrical Hand - **Left**  
Cooling Rows Deep - **3**  
Cooling Circuiting - **3**  
Cooling Air Vent - **Manual**  
Heating Rows Deep - **1**  
Heating Circuiting - **1**  
Heating Air Vent - **Manual**  
Fins Per Inch - **12**  
Heating Sequence - **Re-Heat**  
Fin/Casing Material - **Aluminum/Galvanized**

Drain Pan - **Powder Coated Galvanized**

Cooling Coil Connection Size: **1/2**  
Heating Coil Connection Size: **1/2**

Shipping Weight - **160 lbs**  
Operating Weight - **125 lbs**

Unit Revision Level - **B**

Circuit Wiring - **Single Power Source**



## Valve Summary - Unit 7 , FCU

H006W4B311R000

Horizontal Ceiling Concealed (H) - 006, 120/1/60, 3/1 Coil, Right Hand, 3R3C Cool, 1R1C Heat  
(H006W4B311R000)

### Cooling Valve Package

Valve Package Size - None

Valve Actuator - None

Supply Service Fittings - None

Strainer - None

Supply Isolation Valve - None

Coil Connection - Swage

2 & 3-Way Close-Off Pressure - None

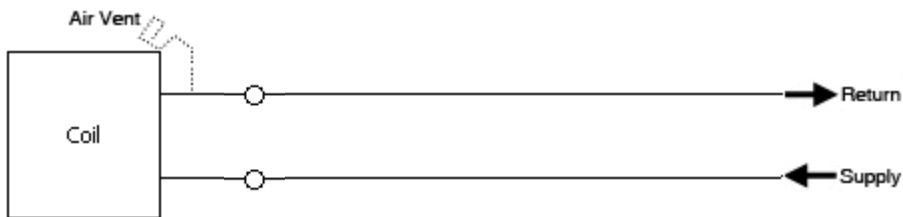
Valve Body - None

Water Flow Balancing - None

Fixed Flow GPM - N/A

Return Service Fittings - None

Return Isolation Valve - None





## Valve Summary - Unit 7 , FCU

H006W4B311R000

Horizontal Ceiling Concealed (H) - 006, 120/1/60, 3/1 Coil, Right Hand, 3R3C Cool, 1R1C Heat  
(H006W4B311R000)

### Heating Valve Package

Valve Package Size - None

Valve Actuator - None

Supply Service Fittings - None

Strainer - None

Supply Isolation Valve - None

Coil Connection - Swage

2 & 3-Way Close-Off Pressure - None

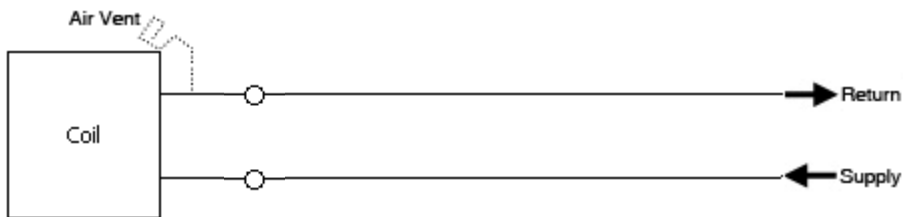
Valve Body - None

Water Flow Balancing - None

Fixed Flow GPM - N/A

Return Service Fittings - None

Return Isolation Valve - None





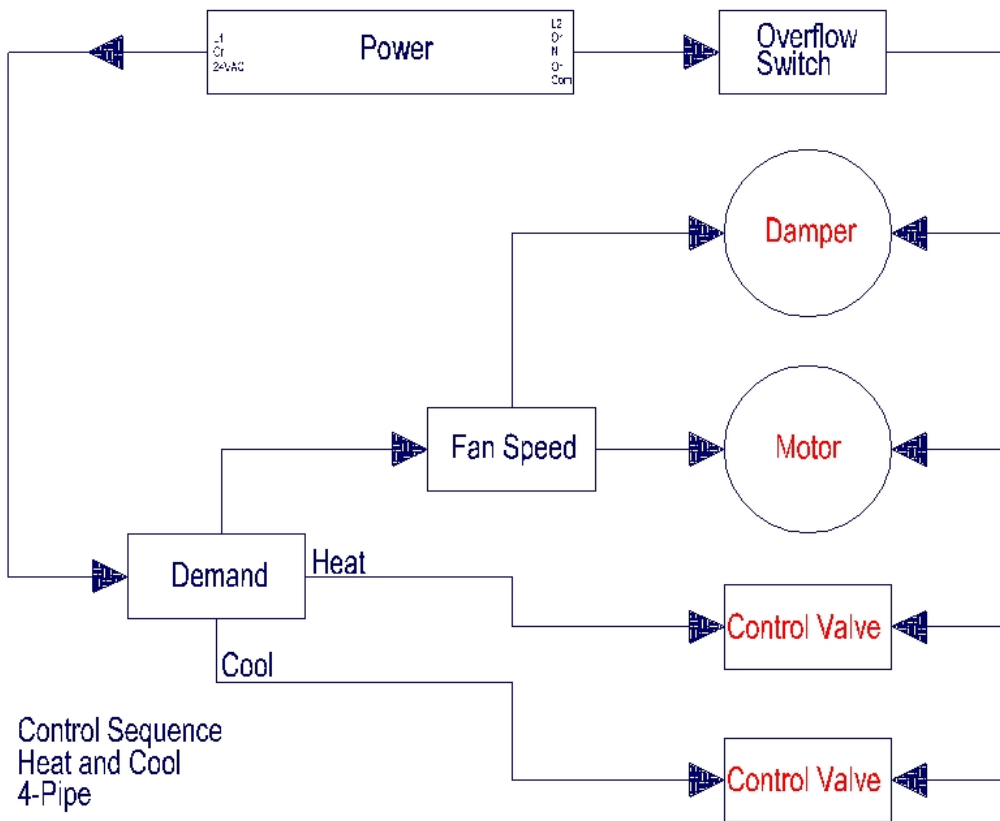
## Control Summary - Unit 7 , FCU

H006W4B311R000

Horizontal Ceiling Concealed (H) - 006, 120/1/60, 3/1 Coil, Right Hand, 3R3C Cool, 1R1C Heat  
(H006W4B311R000)

Control Voltage - Line Voltage  
Thermostat/Humidistat - None  
Control Option - Stat By Others  
Fan Function - N/A  
Pipe Sensor - None  
Remote Air Sensor - No  
Misc. Options - None

Fan Switch - None  
Thermostat Orientation - NA  
Terminal Strip - No  
Service Switch - No  
Circuit Wiring - Single Power Source  
Incoming Power Fusing - No  
Condensate Float Switch - No



## Standard Drawing - Unit 7 , FCU

H006W4B311R000

Horizontal Ceiling Concealed (H) - 006, 120/1/60, 3/1 Coil, Right Hand, 3R3C Cool, 1R1C Heat (H006W4B311R000)

