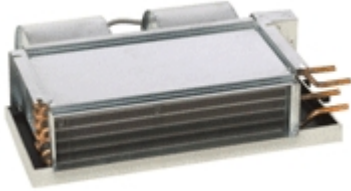




Performance Summary - Unit 14 , FCU



H008DHB311R000

Horizontal Ceiling Concealed (H) - 008, 120/1/60, 3/1 Coil, Right Hand, 3R2C Cool, DX R-410A, 1R1C Heat in Pre-Heat (H008DHB311R000)

The low profile and flexible design of the Horizontal Basic fan coil is ideal for multiple applications. The slim compact design is well suited for drop-ceiling closet hallway and other concealed applications.

Performance Calculations are at an altitude of 0.00 feet

Fan Performance

Motor Voltage: 120/1/60 Motor Type: Standard

External Static: 0.00 InWC

Airflow at High Speed: 833 cfm

Cooling Coil Performance - 3 rows, 2 circuit, 12 fins/inch

Entering Dry Bulb:	80.00 °F	Leaving Dry Bulb:	53.8 °F
Entering Wet Bulb:	67.00 °F	Leaving Wet Bulb:	53.7 °F
Refrigerant Type:	R-410A		
EAT Dew Point:	60.4 °F	Leaving Fluid Temp:	0.0 °F
		Suction Temp:	45.00 °F
		Total Cooling Capacity:	33,929 BTUH
		Sensible Cooling Capacity:	23,851 BTUH

Heating Coil Performance - 1 rows, 1 circuit, 12 fins/inch

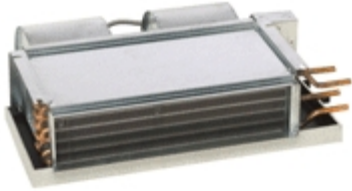
Entering Dry Bulb:	70.00 °F	Leaving Dry Bulb:	111.5 °F
Fluid Type:	Water	Flow Rate:	1.9 GPM
Entering Fluid Temp:	180.00 °F	Leaving Fluid Temp:	140.0°F
		Fluid Pressure Drop:	2.8 FtWC
		Total Heating Capacity:	38,064 BTUH



Base Unit Summary - Unit 14 , FCU

H008DHB311R000

Horizontal Ceiling Concealed (H) - 008, 120/1/60, 3/1 Coil, Right Hand, 3R2C Cool, DX R-410A, 1R1C Heat in Pre-Heat (H008DHB311R000)



The low profile and flexible design of the Horizontal Basic fan coil is ideal for multiple applications. The slim compact design is well suited for drop-ceiling closet hallway and other concealed applications.

Unit Application - Fan Coil
Cabinet Style (Model) - **Horizontal Ceiling Concealed (H)**
Unit Size - **008**
Sales Program - **Standard**
System Type - **Heat and Cool**
System Configuration - **DX Cool with Hydronic Heat**
Motor Type - **Standard**
Motor Voltage/Freq/Phase - **120/1/60**
Motor Count - **1**

Supply - **Front Ducted**
Return - **Open**
Wall Type - **Single Wall**
Insulation - **None**
Finish - **Galvanized**
Motor Watts - **336**

Hand - **Right**
Electrical Hand - **Left**
Cooling Rows Deep - **3**
Cooling Circuiting - **2**
Heating Rows Deep - **1**
Heating Circuiting - **1**
Heating Air Vent - **Manual**
Fins Per Inch - **12**
Heating Sequence - **Pre-Heat**
Fin/Casing Material - **Aluminum/Galvanized**

Drain Pan - **Powder Coated Galvanized**

Cooling Coil Connection Size: **3/4**
Heating Coil Connection Size: **1/2**

Shipping Weight - **173 lbs**
Operating Weight - **140 lbs**

Unit Revision Level - **B**

Circuit Wiring - **Single Power Source**



Valve Summary - Unit 14 , FCU

H008DHB311R000

Horizontal Ceiling Concealed (H) - 008, 120/1/60, 3/1 Coil, Right Hand, 3R2C Cool, DX R-410A, 1R1C Heat in Pre-Heat (H008DHB311R000)

Cooling Valve Package

Valve Package Size - None

Valve Actuator - None

Supply Service Fittings - None

Strainer - None

Supply Isolation Valve - None

Coil Connection - Swage

2 & 3-Way Close-Off Pressure - None

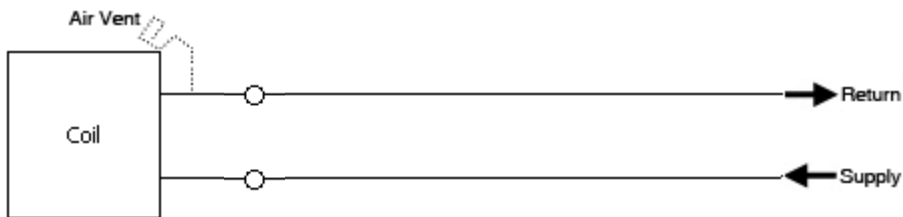
Valve Body - None

Water Flow Balancing - None

Fixed Flow GPM - N/A

Return Service Fittings - None

Return Isolation Valve - None





Valve Summary - Unit 14 , FCU

H008DHB311R000

Horizontal Ceiling Concealed (H) - 008, 120/1/60, 3/1 Coil, Right Hand, 3R2C Cool, DX R-410A, 1R1C Heat in Pre-Heat (H008DHB311R000)

Heating Valve Package

Valve Package Size - None

Valve Actuator - None

Supply Service Fittings - None

Strainer - None

Supply Isolation Valve - None

Coil Connection - Swage

2 & 3-Way Close-Off Pressure - None

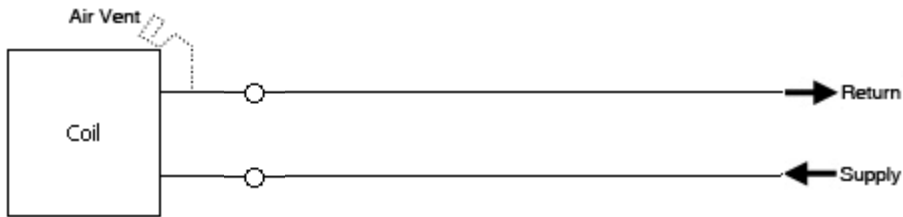
Valve Body - None

Water Flow Balancing - None

Fixed Flow GPM - N/A

Return Service Fittings - None

Return Isolation Valve - None





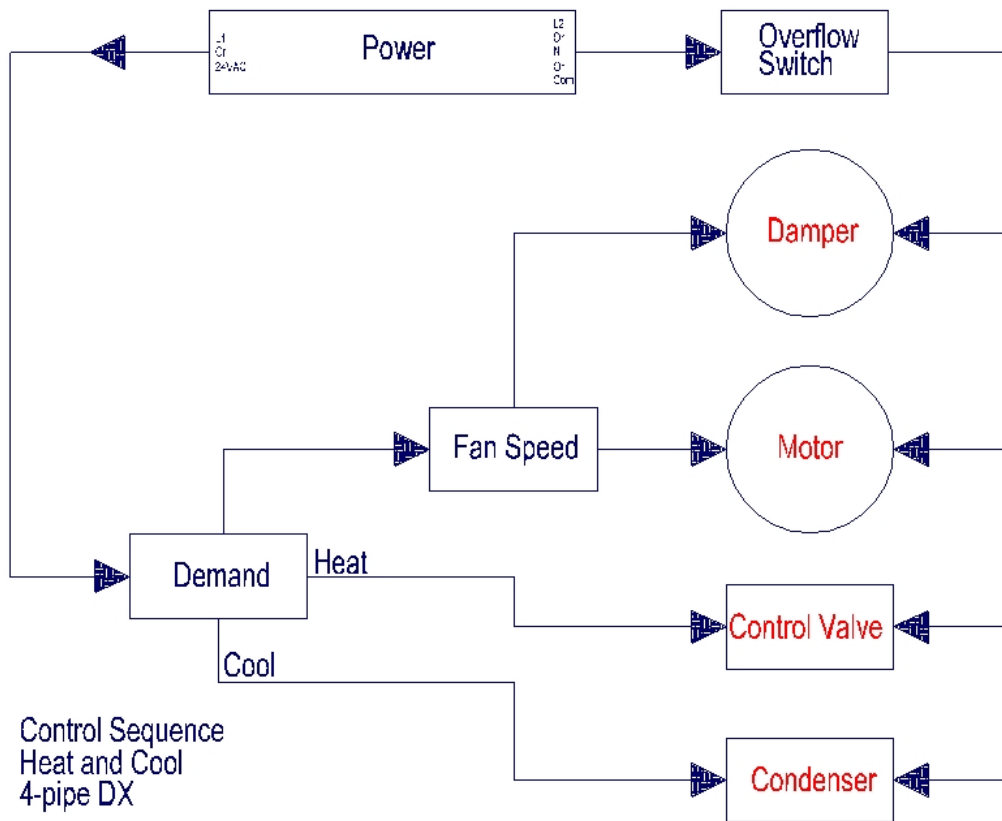
Control Summary - Unit 14 , FCU

H008DHB311R000

Horizontal Ceiling Concealed (H) - 008, 120/1/60, 3/1 Coil, Right Hand, 3R2C Cool, DX R-410A, 1R1C Heat in Pre-Heat (H008DHB311R000)

Control Voltage - **Line Voltage**
Thermostat/Humidistat - **None**
Control Option - **Stat By Others**
Fan Function - **N/A**
Pipe Sensor - **None**
Remote Air Sensor - **No**
Misc. Options - **None**

Fan Switch - **None**
Thermostat Orientation - **NA**
Terminal Strip - **No**
Service Switch - **No**
Circuit Wiring - **Single Power Source**
Incoming Power Fusing - **No**
Condensate Float Switch - **No**



Standard Drawing - Unit 14 , FCU

H008DHB311R000

Horizontal Ceiling Concealed (H) - 008, 120/1/60, 3/1 Coil, Right Hand, 3R2C Cool, DX R-410A, 1R1C Heat in Pre-Heat (H008DHB311R000)

