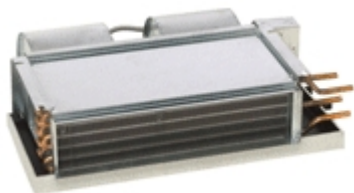




Performance Summary - Unit 15 , FCU



H008DHB312R000

Horizontal Ceiling Concealed (H) - 008, 208/1/60, 3/1 Coil, Right Hand, 3R2C Cool, DX R-410A, 1R1C Heat in Pre-Heat (H008DHB312R000)

The low profile and flexible design of the Horizontal Basic fan coil is ideal for multiple applications. The slim compact design is well suited for drop-ceiling closet hallway and other concealed applications.

Performance Calculations are at an altitude of 0.00 feet

Fan Performance

Motor Voltage: 208/1/60 Motor Type: Standard

External Static: 0.00 InWC

Airflow at High Speed: 833 cfm

Cooling Coil Performance - 3 rows, 2 circuit, 12 fins/inch

Entering Dry Bulb:	80.00 °F	Leaving Dry Bulb:	53.8 °F
Entering Wet Bulb:	67.00 °F	Leaving Wet Bulb:	53.7 °F
Refrigerant Type:	R-410A		
EAT Dew Point:	60.4 °F	Leaving Fluid Temp:	0.0 °F
		Suction Temp:	45.00 °F
		Total Cooling Capacity:	33,929 BTUH
		Sensible Cooling Capacity:	23,851 BTUH

Heating Coil Performance - 1 rows, 1 circuit, 12 fins/inch

Entering Dry Bulb:	70.00 °F	Leaving Dry Bulb:	111.5 °F
Fluid Type:	Water	Flow Rate:	1.9 GPM
Entering Fluid Temp:	180.00 °F	Leaving Fluid Temp:	140.0°F
		Fluid Pressure Drop:	2.8 FtWC
		Total Heating Capacity:	38,064 BTUH



Base Unit Summary - Unit 15 , FCU

H008DHB312R000

Horizontal Ceiling Concealed (H) - 008, 208/1/60, 3/1 Coil, Right Hand, 3R2C Cool, DX R-410A, 1R1C Heat in Pre-Heat (H008DHB312R000)



The low profile and flexible design of the Horizontal Basic fan coil is ideal for multiple applications. The slim compact design is well suited for drop-ceiling closet hallway and other concealed applications.

Unit Application - Fan Coil
Cabinet Style (Model) - [Horizontal Ceiling Concealed \(H\)](#)
Unit Size - [008](#)
Sales Program - [Standard](#)
System Type - [Heat and Cool](#)
System Configuration - [DX Cool with Hydronic Heat](#)
Motor Type - [Standard](#)
Motor Voltage/Freq/Phase - [208/1/60](#)
Motor Count - [1](#)

Supply - [Front Ducted](#)
Return - [Open](#)
Wall Type - [Single Wall](#)
Insulation - [None](#)
Finish - [Galvanized](#)
Motor Watts - [250](#)

Hand - [Right](#)
Electrical Hand - [Left](#)
Cooling Rows Deep - [3](#)
Cooling Circuiting - [2](#)
Heating Rows Deep - [1](#)
Heating Circuiting - [1](#)
Heating Air Vent - [Manual](#)
Fins Per Inch - [12](#)
Heating Sequence - [Pre-Heat](#)
Fin/Casing Material - [Aluminum/Galvanized](#)

Drain Pan - [Powder Coated Galvanized](#)

Cooling Coil Connection Size: [3/4](#)
Heating Coil Connection Size: [1/2](#)

Shipping Weight - [173 lbs](#)
Operating Weight - [140 lbs](#)

Unit Revision Level - [B](#)

Circuit Wiring - [Single Power Source](#)



Valve Summary - Unit 15 , FCU

H008DHB312R000

Horizontal Ceiling Concealed (H) - 008, 208/1/60, 3/1 Coil, Right Hand, 3R2C Cool, DX R-410A, 1R1C Heat in Pre-Heat (H008DHB312R000)

Cooling Valve Package

Valve Package Size - **None**

Valve Actuator- **None**

Supply Service Fittings - **None**

Strainer - **None**

Supply Isolation Valve - **None**

Coil Connection - **Swage**

2 & 3-Way Close-Off Pressure - **None**

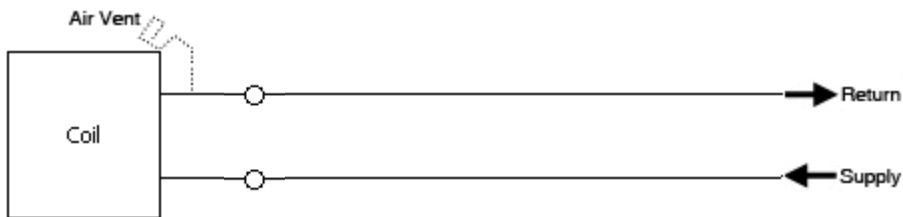
Valve Body - **None**

Water Flow Balancing - **None**

Fixed Flow GPM - **N/A**

Return Service Fittings - **None**

Return Isolation Valve - **None**





Valve Summary - Unit 15 , FCU

H008DHB312R000

Horizontal Ceiling Concealed (H) - 008, 208/1/60, 3/1 Coil, Right Hand, 3R2C Cool, DX R-410A, 1R1C Heat in Pre-Heat (H008DHB312R000)

Heating Valve Package

Valve Package Size - None

Valve Actuator - None

Supply Service Fittings - None

Strainer - None

Supply Isolation Valve - None

Coil Connection - Swage

2 & 3-Way Close-Off Pressure - None

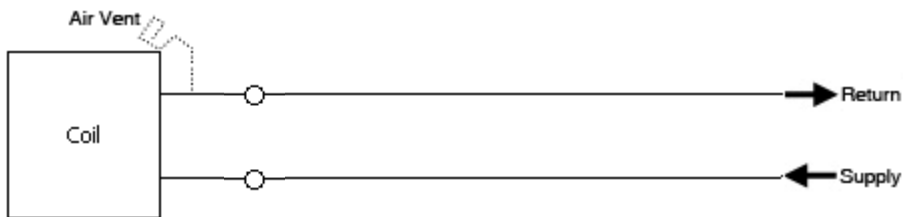
Valve Body - None

Water Flow Balancing - None

Fixed Flow GPM - N/A

Return Service Fittings - None

Return Isolation Valve - None





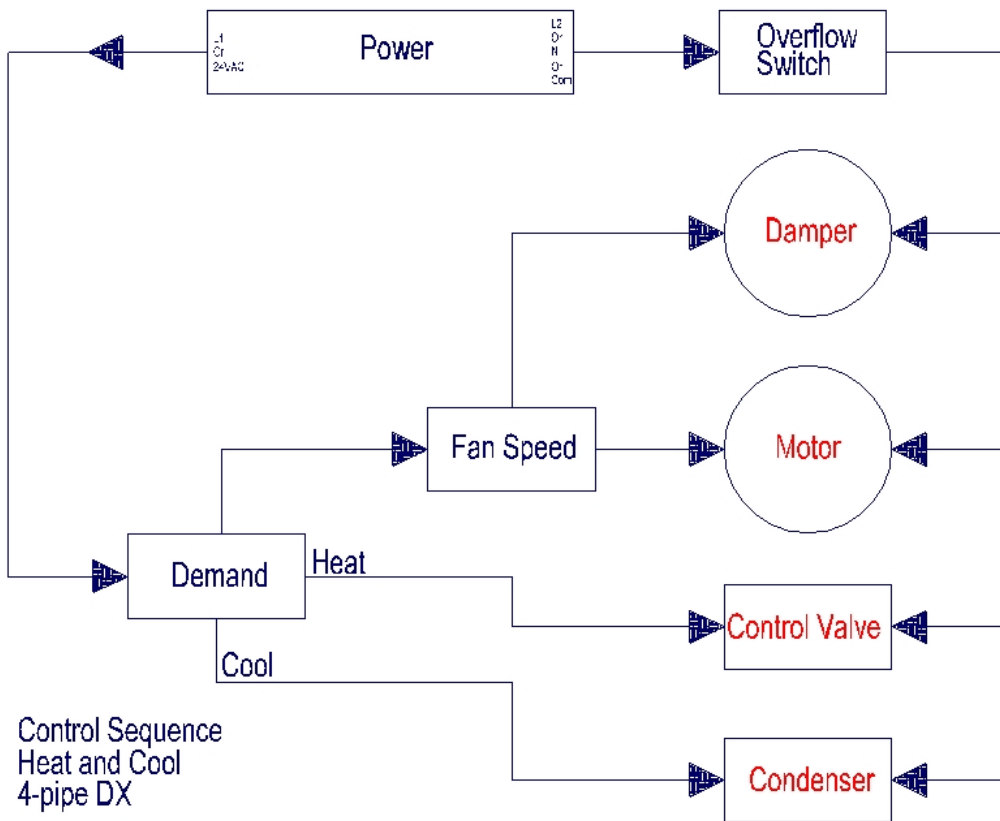
Control Summary - Unit 15 , FCU

H008DHB312R000

Horizontal Ceiling Concealed (H) - 008, 208/1/60, 3/1 Coil, Right Hand, 3R2C Cool, DX R-410A, 1R1C Heat in Pre-Heat (H008DHB312R000)

Control Voltage - **Line Voltage**
Thermostat/Humidistat - **None**
Control Option - **Stat By Others**
Fan Function - **N/A**
Pipe Sensor - **None**
Remote Air Sensor - **No**
Misc. Options - **None**

Fan Switch - **None**
Thermostat Orientation - **NA**
Terminal Strip - **No**
Service Switch - **No**
Circuit Wiring - **Single Power Source**
Incoming Power Fusing - **No**
Condensate Float Switch - **No**



Standard Drawing - Unit 15 , FCU

H008DHB312R000

Horizontal Ceiling Concealed (H) - 008, 208/1/60, 3/1 Coil, Right Hand, 3R2C Cool, DX R-410A, 1R1C Heat in Pre-Heat (H008DHB312R000)

