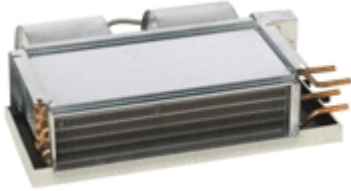




## Performance Summary - Unit 11 , FCU



**H008W2B301R000**  
**Horizontal Ceiling Concealed (H) - 008, 120/1/60, 3/0 Coil, Right Hand, 3R3C Cool (H008W2B301R000)**

The low profile and flexible design of the Horizontal Basic fan coil is ideal for multiple applications. The slim compact design is well suited for drop-ceiling closet hallway and other concealed applications.

**Performance Calculations are at an altitude of 0.00 feet**

### Fan Performance

Motor Voltage: 120/1/60                      Motor Type: Standard

External Static: 0.00 InWC

**Airflow at High Speed: 838 cfm**

### Cooling Coil Performance - 3 rows, 3 circuit, 12 fins/inch

Entering Dry Bulb:	80.00 °F	Leaving Dry Bulb:	57.3 °F
Entering Wet Bulb:	67.00 °F	Leaving Wet Bulb:	57.1 °F
Fluid Type:	Water	Flow Rate:	5.2 GPM
Entering Fluid Temp:	45.00 °F	Leaving Fluid Temp:	55.0 °F
EAT Dew Point:	60.4 °F	Fluid Pressure Drop:	3.7 FtWC

**Total Cooling Capacity: 26,051 BTUH**

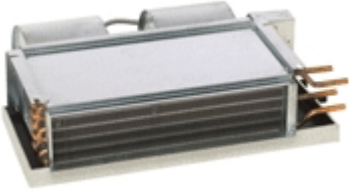
**Sensible Cooling Capacity: 20,806 BTUH**



## Base Unit Summary - Unit 11 , FCU

**H008W2B301R000**

**Horizontal Ceiling Concealed (H) - 008, 120/1/60, 3/0 Coil, Right Hand, 3R3C Cool (H008W2B301R000)**



The low profile and flexible design of the Horizontal Basic fan coil is ideal for multiple applications. The slim compact design is well suited for drop-ceiling closet hallway and other concealed applications.

---

Unit Application - Fan Coil

Cabinet Style (Model) - [Horizontal Ceiling Concealed \(H\)](#)

Unit Size - [008](#)

Sales Program - [Standard](#)

System Type - [Cool Only](#)

System Configuration - [2-pipe Hydronic](#)

Motor Type - [Standard](#)

Motor Voltage/Freq/Phase - [120/1/60](#)

Motor Count - [1](#)

Supply - [Front Ducted](#)

Return - [Open](#)

Wall Type - [Single Wall](#)

Insulation - [None](#)

Finish - [Galvanized](#)

Motor Watts - [336](#)

Hand - [Right](#)

Electrical Hand - [Left](#)

Cooling Rows Deep - [3](#)

Cooling Circuiting - [3](#)

Cooling Air Vent - [Manual](#)

Fins Per Inch - [12](#)

Fin/Casing Material - [Aluminum/Galvanized](#)

Drain Pan - [Powder Coated Galvanized](#)

Shipping Weight - [170 lbs](#)

Operating Weight - [134 lbs](#)

Cooling Coil Connection Size: [1/2](#)

Heating Coil Connection Size: [na](#)

Unit Revision Level - [B](#)

Circuit Wiring - [Single Power Source](#)



## Valve Summary - Unit 11 , FCU

H008W2B301R000

Horizontal Ceiling Concealed (H) - 008, 120/1/60, 3/0 Coil, Right Hand, 3R3C Cool (H008W2B301R000)

### Cooling Valve Package

Valve Package Size - None

Valve Actuator- None

Supply Service Fittings - None

Strainer - None

Supply Isolation Valve - None

Coil Connection - Swage

2 & 3-Way Close-Off Pressure - None

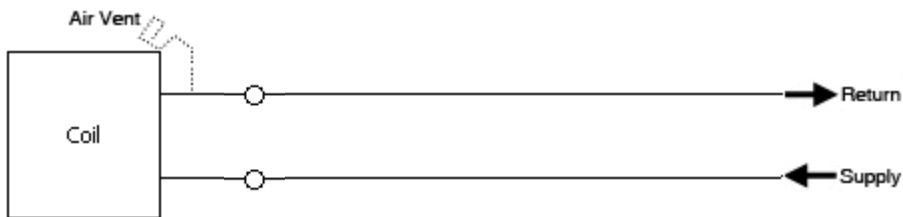
Valve Body - None

Water Flow Balancing -None

Fixed Flow GPM - N/A

Return Service Fittings - None

Return Isolation Valve - None



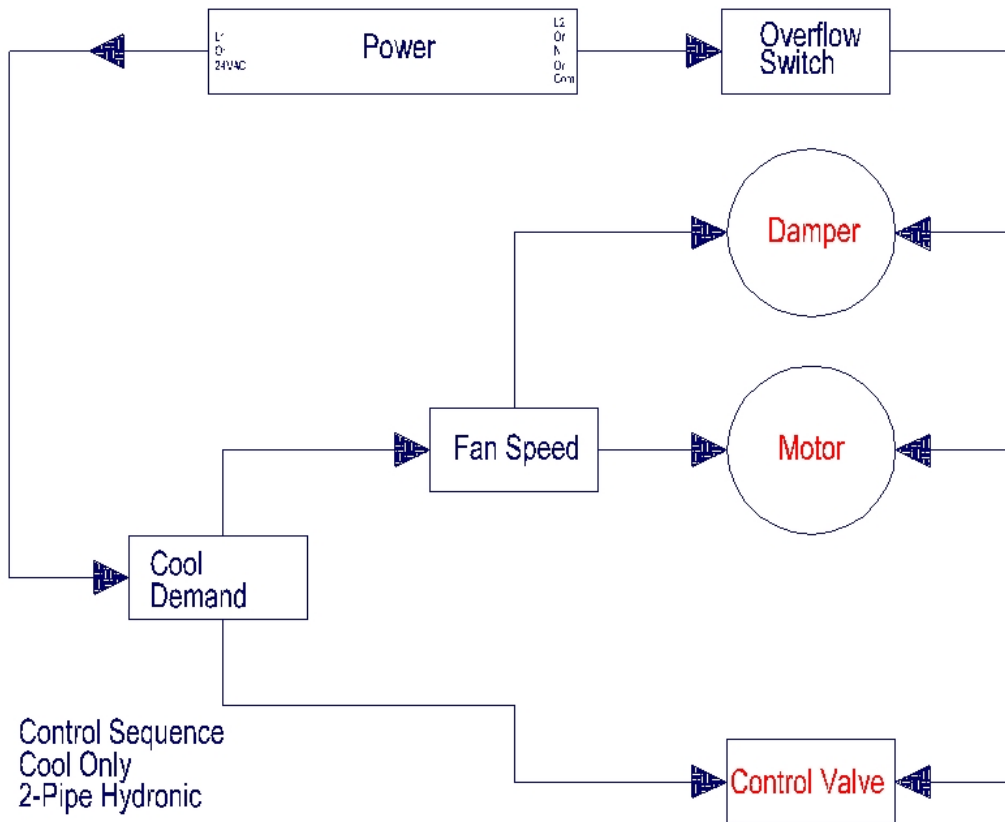
## Control Summary - Unit 11 , FCU

**H008W2B301R000**

**Horizontal Ceiling Concealed (H) - 008, 120/1/60, 3/0 Coil, Right Hand, 3R3C Cool (H008W2B301R000)**

Control Voltage - **Line Voltage**  
 Thermostat/Humidistat - **None**  
 Control Option - **Stat By Others**  
 Fan Function - **N/A**  
 Pipe Sensor - **None**  
 Remote Air Sensor - **No**  
 Misc. Options - **None**

Fan Switch - **None**  
 Thermostat Orientation - **NA**  
 Terminal Strip - **No**  
 Service Switch - **No**  
 Circuit Wiring - **Single Power Source**  
 Incoming Power Fusing - **No**  
 Condensate Float Switch - **No**



## Standard Drawing - Unit 11 , FCU

H008W2B301R000

Horizontal Ceiling Concealed (H) - 008, 120/1/60, 3/0 Coil, Right Hand, 3R3C Cool (H008W2B301R000)

