



Performance Summary - Unit 12 , FCU



H008W4B311R000
Horizontal Ceiling Concealed (H) - 008, 120/1/60, 3/1 Coil, Right Hand, 3R3C Cool, 1R1C Heat (H008W4B311R000)

The low profile and flexible design of the Horizontal Basic fan coil is ideal for multiple applications. The slim compact design is well suited for drop-ceiling closet hallway and other concealed applications.

Performance Calculations are at an altitude of 0.00 feet

Fan Performance

Motor Voltage: 120/1/60 Motor Type: Standard

External Static: 0.00 InWC

Airflow at High Speed: 833 cfm

Cooling Coil Performance - 3 rows, 3 circuit, 12 fins/inch

Entering Dry Bulb:	80.00 °F	Leaving Dry Bulb:	57.3 °F
Entering Wet Bulb:	67.00 °F	Leaving Wet Bulb:	57.1 °F
Fluid Type:	Water	Flow Rate:	5.2 GPM
Entering Fluid Temp:	45.00 °F	Leaving Fluid Temp:	55.0 °F
EAT Dew Point:	60.4 °F	Fluid Pressure Drop:	3.7 FtWC

Total Cooling Capacity: 25,950 BTUH

Sensible Cooling Capacity: 20,704 BTUH

Heating Coil Performance - 1 rows, 1 circuit, 12 fins/inch

Entering Dry Bulb:	70.00 °F	Leaving Dry Bulb:	111.5 °F
Fluid Type:	Water	Flow Rate:	1.9 GPM
Entering Fluid Temp:	180.00 °F	Leaving Fluid Temp:	140.0°F
		Fluid Pressure Drop:	2.8 FtWC

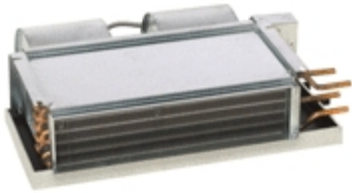
Total Heating Capacity: 38,064 BTUH



Base Unit Summary - Unit 12 , FCU

H008W4B311R000

Horizontal Ceiling Concealed (H) - 008, 120/1/60, 3/1 Coil, Right Hand, 3R3C Cool, 1R1C Heat (H008W4B311R000)



The low profile and flexible design of the Horizontal Basic fan coil is ideal for multiple applications. The slim compact design is well suited for drop-ceiling closet hallway and other concealed applications.

Unit Application - Fan Coil

Cabinet Style (Model) - **Horizontal Ceiling Concealed (H)**

Unit Size - **008**

Sales Program - **Standard**

System Type - **Heat and Cool**

System Configuration - **4-pipe Hydronic Cool & Heat**

Motor Type - **Standard**

Motor Voltage/Freq/Phase - **120/1/60**

Motor Count - **1**

Supply - **Front Ducted**

Return - **Open**

Wall Type - **Single Wall**

Insulation - **None**

Finish - **Galvanized**

Motor Watts - **336**

Hand - **Right**

Electrical Hand - **Left**

Cooling Rows Deep - **3**

Cooling Circuiting - **3**

Cooling Air Vent - **Manual**

Heating Rows Deep - **1**

Heating Circuiting - **1**

Heating Air Vent - **Manual**

Fins Per Inch - **12**

Heating Sequence - **Re-Heat**

Fin/Casing Material - **Aluminum/Galvanized**

Drain Pan - **Powder Coated Galvanized**

Shipping Weight - **173 lbs**

Operating Weight - **140 lbs**

Cooling Coil Connection Size: **1/2**

Heating Coil Connection Size: **1/2**

Unit Revision Level - **B**

Circuit Wiring - **Single Power Source**

Valve Summary - Unit 12 , FCU

H008W4B311R000

Horizontal Ceiling Concealed (H) - 008, 120/1/60, 3/1 Coil, Right Hand, 3R3C Cool, 1R1C Heat
(H008W4B311R000)

Cooling Valve Package

Valve Package Size - None

Valve Actuator - None

Supply Service Fittings - None

Strainer - None

Supply Isolation Valve - None

Coil Connection - Swage

2 & 3-Way Close-Off Pressure - None

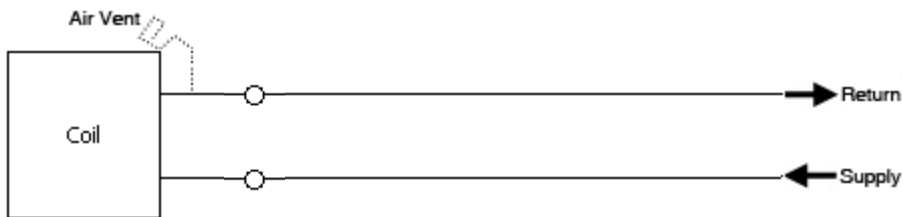
Valve Body - None

Water Flow Balancing - None

Fixed Flow GPM - N/A

Return Service Fittings - None

Return Isolation Valve - None





Valve Summary - Unit 12 , FCU

H008W4B311R000

Horizontal Ceiling Concealed (H) - 008, 120/1/60, 3/1 Coil, Right Hand, 3R3C Cool, 1R1C Heat
(H008W4B311R000)

Heating Valve Package

Valve Package Size - None

Valve Actuator - None

Supply Service Fittings - None

Strainer - None

Supply Isolation Valve - None

Coil Connection - Swage

2 & 3-Way Close-Off Pressure - None

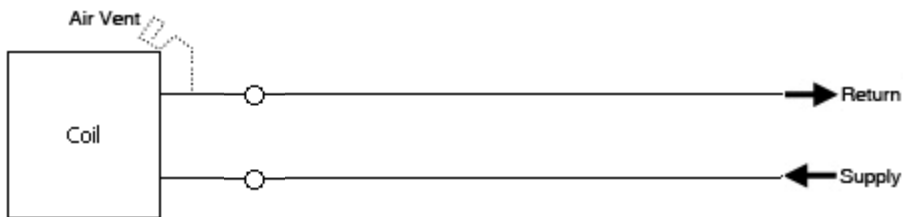
Valve Body - None

Water Flow Balancing - None

Fixed Flow GPM - N/A

Return Service Fittings - None

Return Isolation Valve - None





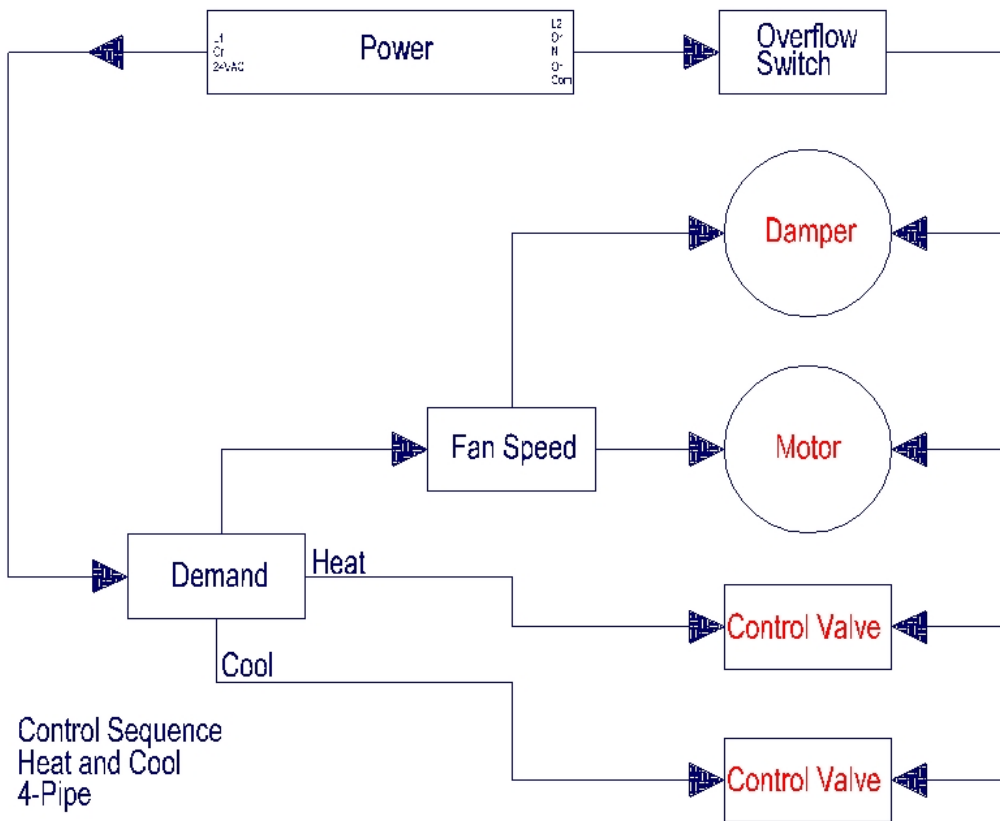
Control Summary - Unit 12 , FCU

H008W4B311R000

Horizontal Ceiling Concealed (H) - 008, 120/1/60, 3/1 Coil, Right Hand, 3R3C Cool, 1R1C Heat
(H008W4B311R000)

Control Voltage - Line Voltage
Thermostat/Humidistat - None
Control Option - Stat By Others
Fan Function - N/A
Pipe Sensor - None
Remote Air Sensor - No
Misc. Options - None

Fan Switch - None
Thermostat Orientation - NA
Terminal Strip - No
Service Switch - No
Circuit Wiring - Single Power Source
Incoming Power Fusing - No
Condensate Float Switch - No



Standard Drawing - Unit 12 , FCU

H008W4B311R000

Horizontal Ceiling Concealed (H) - 008, 120/1/60, 3/1 Coil, Right Hand, 3R3C Cool, 1R1C Heat (H008W4B311R000)

