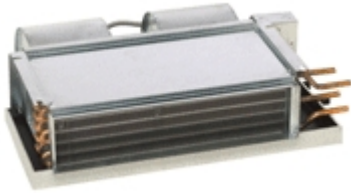




## Performance Summary - Unit 17 , FCU



**H010W4B311R000**  
**Horizontal Ceiling Concealed (H) - 010, 120/1/60, 3/1 Coil, Right Hand, 3R3C Cool, 1R2C Heat (H010W4B311R000)**

The low profile and flexible design of the Horizontal Basic fan coil is ideal for multiple applications. The slim compact design is well suited for drop-ceiling closet hallway and other concealed applications.

**Performance Calculations are at an altitude of 0.00 feet**

### Fan Performance

Motor Voltage: 120/1/60                      Motor Type: Standard

External Static: 0.00 InWC

**Airflow at High Speed: 1,042 cfm**

### Cooling Coil Performance - 3 rows, 3 circuit, 12 fins/inch

Entering Dry Bulb:	80.00 °F	Leaving Dry Bulb:	57.0 °F
Entering Wet Bulb:	67.00 °F	Leaving Wet Bulb:	56.9 °F
Fluid Type:	Water	Flow Rate:	6.6 GPM
Entering Fluid Temp:	45.00 °F	Leaving Fluid Temp:	55.0 °F
EAT Dew Point:	60.4 °F	Fluid Pressure Drop:	6.2 FtWC

**Total Cooling Capacity: 33,246 BTUH**

**Sensible Cooling Capacity: 26,179 BTUH**

### Heating Coil Performance - 1 rows, 2 circuit, 12 fins/inch

Entering Dry Bulb:	70.00 °F	Leaving Dry Bulb:	105.7 °F
Fluid Type:	Water	Flow Rate:	2.0 GPM
Entering Fluid Temp:	180.00 °F	Leaving Fluid Temp:	140.0°F
		Fluid Pressure Drop:	0.6 FtWC

**Total Heating Capacity: 41,056 BTUH**



## Base Unit Summary - Unit 17 , FCU

**H010W4B311R000**

**Horizontal Ceiling Concealed (H) - 010, 120/1/60, 3/1 Coil, Right Hand, 3R3C Cool, 1R2C Heat (H010W4B311R000)**



The low profile and flexible design of the Horizontal Basic fan coil is ideal for multiple applications. The slim compact design is well suited for drop-ceiling closet hallway and other concealed applications.

Unit Application - Fan Coil

Cabinet Style (Model) - [Horizontal Ceiling Concealed \(H\)](#)

Unit Size - [010](#)

Sales Program - [Standard](#)

System Type - [Heat and Cool](#)

System Configuration - [4-pipe Hydronic Cool & Heat](#)

Motor Type - [Standard](#)

Motor Voltage/Freq/Phase - [120/1/60](#)

Motor Count - [1](#)

Supply - [Front Ducted](#)

Return - [Open](#)

Wall Type - [Single Wall](#)

Insulation - [None](#)

Finish - [Galvanized](#)

Motor Watts - [420](#)

Hand - [Right](#)

Electrical Hand - [Left](#)

Cooling Rows Deep - [3](#)

Cooling Circuiting - [3](#)

Cooling Air Vent - [Manual](#)

Heating Rows Deep - [1](#)

Heating Circuiting - [2](#)

Heating Air Vent - [Manual](#)

Fins Per Inch - [12](#)

Heating Sequence - [Re-Heat](#)

Fin/Casing Material - [Aluminum/Galvanized](#)

Drain Pan - [Powder Coated Galvanized](#)

Shipping Weight - [199 lbs](#)

Operating Weight - [161 lbs](#)

Cooling Coil Connection Size: [1/2](#)

Heating Coil Connection Size: [1/2](#)

Unit Revision Level - [B](#)

Circuit Wiring - [Single Power Source](#)



## Valve Summary - Unit 17 , FCU

H010W4B311R000

Horizontal Ceiling Concealed (H) - 010, 120/1/60, 3/1 Coil, Right Hand, 3R3C Cool, 1R2C Heat  
(H010W4B311R000)

### Cooling Valve Package

Valve Package Size - None

Valve Actuator - None

Supply Service Fittings - None

Strainer - None

Supply Isolation Valve - None

Coil Connection - Swage

2 & 3-Way Close-Off Pressure - None

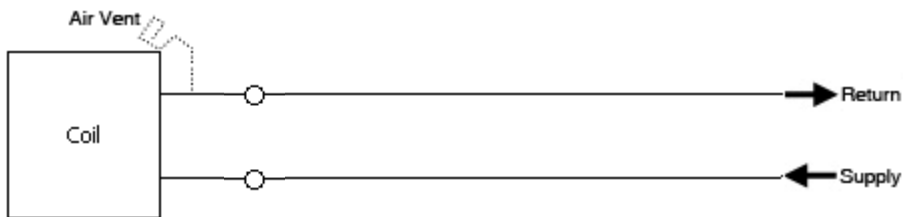
Valve Body - None

Water Flow Balancing - None

Fixed Flow GPM - N/A

Return Service Fittings - None

Return Isolation Valve - None





## Valve Summary - Unit 17 , FCU

H010W4B311R000

Horizontal Ceiling Concealed (H) - 010, 120/1/60, 3/1 Coil, Right Hand, 3R3C Cool, 1R2C Heat  
(H010W4B311R000)

### Heating Valve Package

Valve Package Size - None

Valve Actuator - None

Supply Service Fittings - None

Strainer - None

Supply Isolation Valve - None

Coil Connection - Swage

2 & 3-Way Close-Off Pressure - None

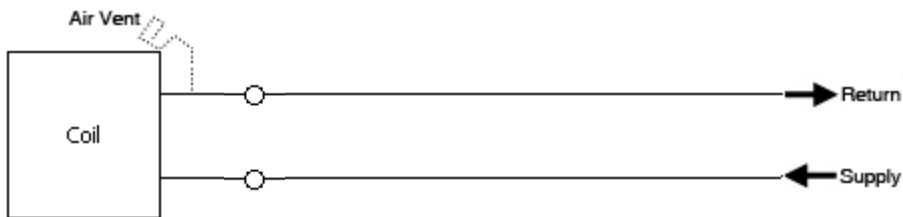
Valve Body - None

Water Flow Balancing - None

Fixed Flow GPM - N/A

Return Service Fittings - None

Return Isolation Valve - None





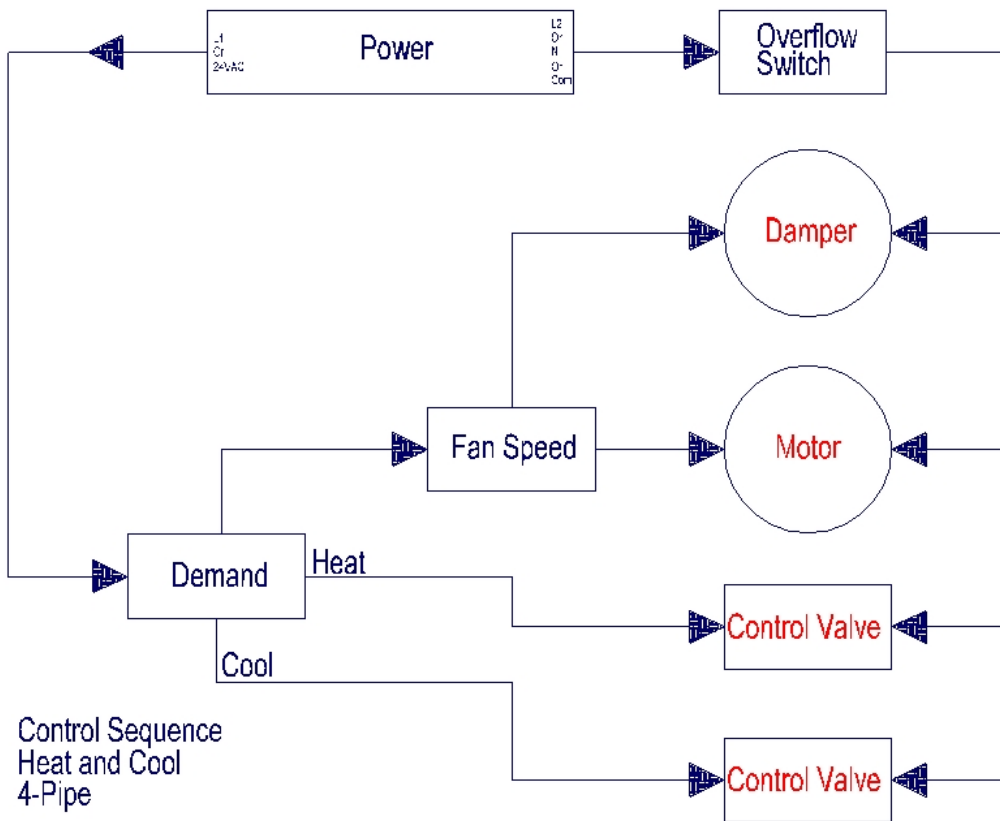
## Control Summary - Unit 17 , FCU

H010W4B311R000

Horizontal Ceiling Concealed (H) - 010, 120/1/60, 3/1 Coil, Right Hand, 3R3C Cool, 1R2C Heat  
(H010W4B311R000)

Control Voltage - Line Voltage  
Thermostat/Humidistat - None  
Control Option - Stat By Others  
Fan Function - N/A  
Pipe Sensor - None  
Remote Air Sensor - No  
Misc. Options - None

Fan Switch - None  
Thermostat Orientation - NA  
Terminal Strip - No  
Service Switch - No  
Circuit Wiring - Single Power Source  
Incoming Power Fusing - No  
Condensate Float Switch - No



## Standard Drawing - Unit 17 , FCU

H010W4B311R000

Horizontal Ceiling Concealed (H) - 010, 120/1/60, 3/1 Coil, Right Hand, 3R3C Cool, 1R2C Heat (H010W4B311R000)

