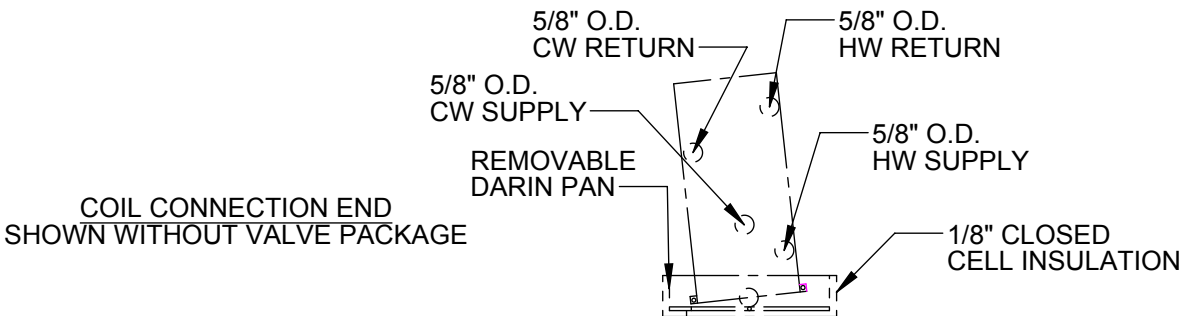
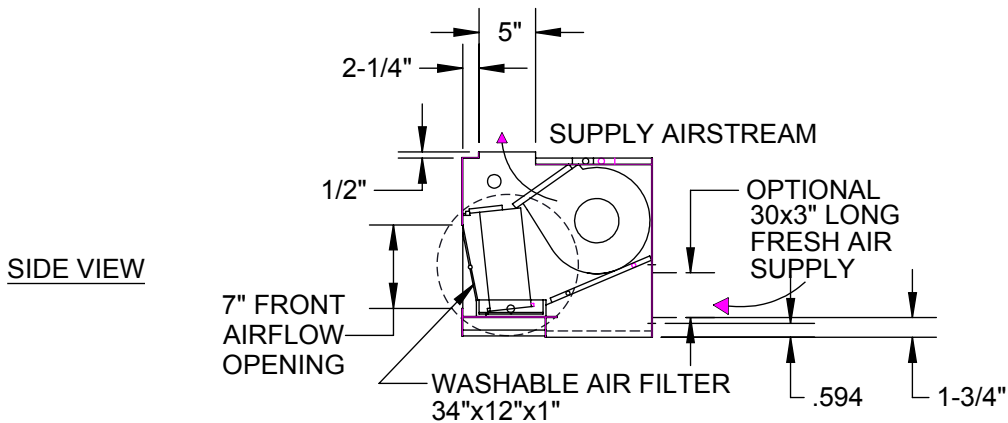
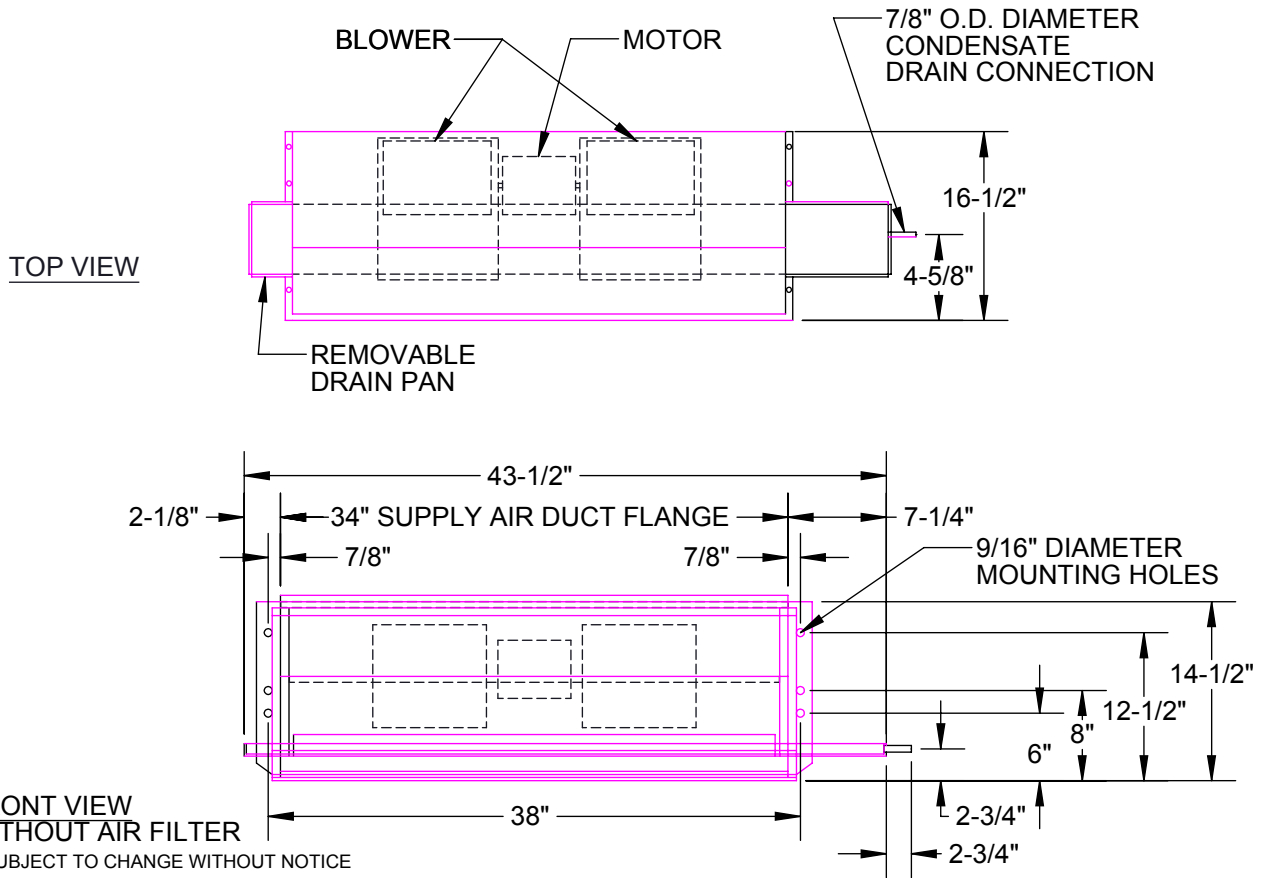


Drawing is for standard fan coil configuration only. When valve packages or drain pan extensions are added consult [fancoils@wfc-fc.com](mailto:fancoils@wfc-fc.com) for an "as built" drawing.

LS-B 004-006

RIGHT-HAND UNIT SHOWN, LEFT-HAND UNIT OPPOSITE  
 COIL CONNECTIONS DETERMINED BY FACING SUPPLY AIRSTREAM.



- COIL CONNECTIONS DETERMINED BY FACING THE SUPPLY-AIR OPENING.
- ELECTRICAL JUNCTION BOX IS LOCATED ON THE SAME SIDE AS THE COIL CONNECTIONS.