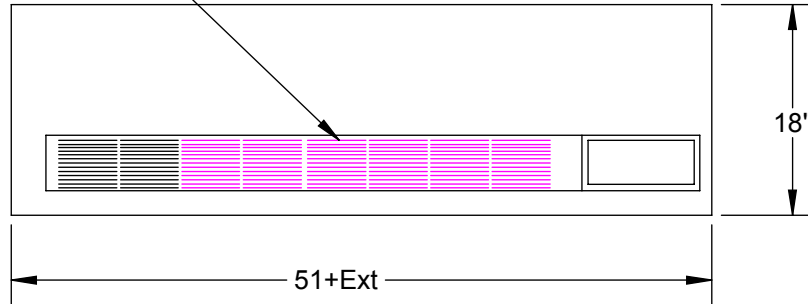


**RIGHT HAND UNIT SHOWN**

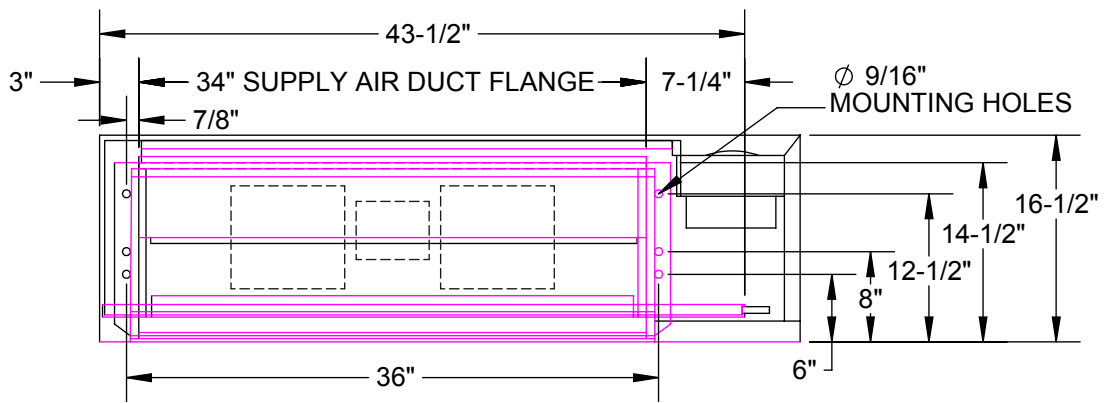
LS-D  
004-006

*Drawing is for standard fan coil configuration only.  
When valve packages or drain pan extensions  
are added consult [fancoils@wfc-fc.com](mailto:fancoils@wfc-fc.com)  
for an "as built" drawing.*

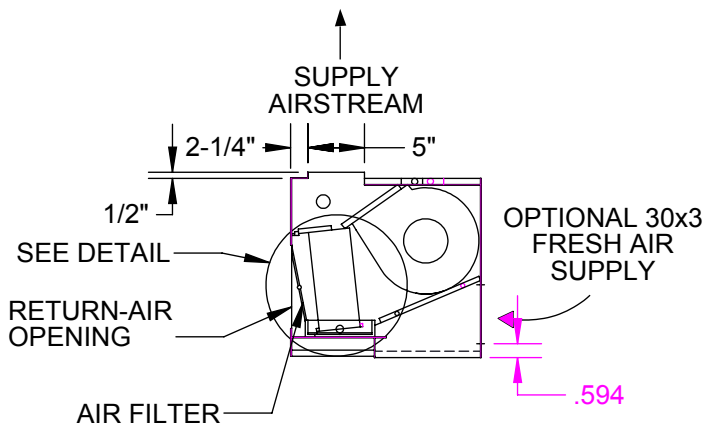
SUPPLY-AIR GRILLE



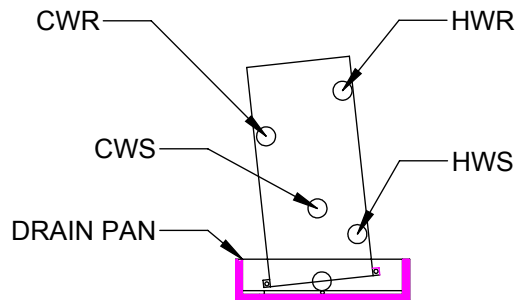
**TOP VIEW**



**FRONT VIEW**



**SIDE VIEW**



**COIL CONNECTION DETAIL**

- COIL CONNECTIONS DETERMINED BY FACING THE SUPPLY-AIR OPENING.
- ELECTRICAL JUNCTION BOX IS LOCATED ON THE SAME SIDE AS THE COIL CONNECTIONS.