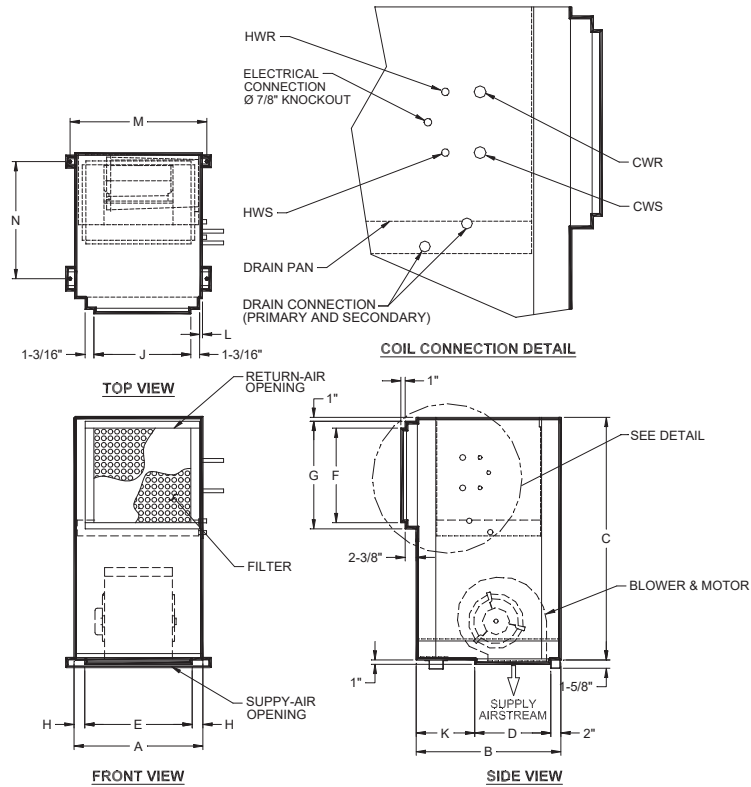


# HIGH PERFORMANCE CASED VERTICAL

## CV-G / CV-Q REAR RETURN / BOTTOM SUPPLY 400 - 3,000 CFM



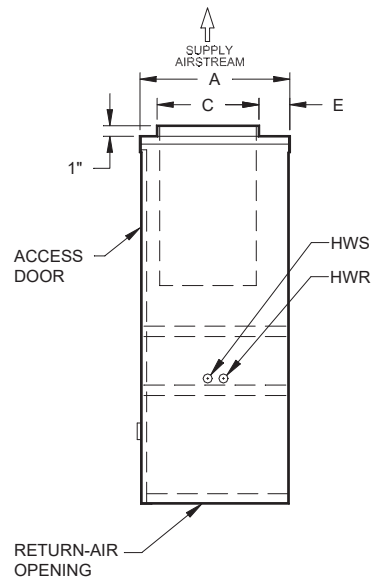
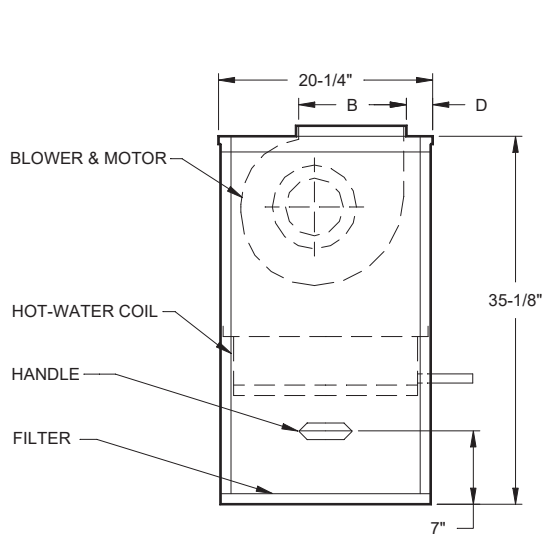
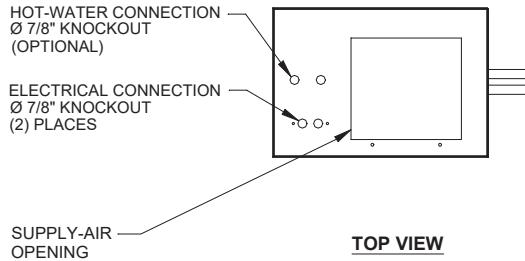
MODEL CV-G CV-Q	A	B	C	D	E	F	G	H	J	K	L	M	R	FILTER SIZE
400	24 1/16	27 1/8	46	14	20	17 1/2	20	2 1/32	18	11 1/8	1	26	20 1/4	16 X 16 X 1
600	24 1/16	27 1/8	46	14	20	17 1/2	20	2 1/32	18	11 1/8	1	26	20 1/4	16 X 16 X 1
800	24 1/16	27 1/8	46	14	20	17 1/2	20	2 1/32	18	11 1/8	1	26	20 1/4	16 X 20 X 1
1000	30 1/16	27 1/8	46	14	20	17 1/2	20	5 1/32	23	11 1/8	1	32	20 1/4	20 X 20 X 1
1200	30 1/16	27 1/8	46	14	20	17 1/2	20	5 1/32	23	11 1/8	1	32	20 1/4	20 X 25 X 1
1500	38 1/16	27 1/8	46	16	22	17 1/2	20	8 1/32	29 11/16	9 3/8	1 3/8	40	20 1/4	25 X 25 X 1
1800	38 1/16	27 1/8	54	18	24	17 1/2	20	7 1/16	29 11/16	7 3/8	1 3/8	40	20 1/4	25 X 16 X 1
2200	46 1/8	27 1/8	60	20	30	22 9/16	25	8 3/8	37 11/16	5 1/4	1 3/8	48	20 1/2	25 X 20 X 1
3000	46 1/8	27 1/8	60	20	30	22 9/16	25	8 3/8	37 11/16	5 1/4	1 3/8	48	20 1/2	25 X 20 X 1

- Right hand unit shown, left hand unit opposite.
- Coil connections determined by facing the return air.
- Unit must be installed level and condensate drain lines should be trapped.
- Drain pan is powder coated epoxy with a 1/4" thick closed cell insulation and has 3/4" NPT CVG/Q04-18, 1 5/16" NPT (CVG/Q22/30) primary and secondary drain connections.
- Entire cabinet, scroll and blower wheel are heavy gauge, galvanized steel.
- Coil connections: 1/2" CW on CV004-006 3/4" on CV008-030; 1/2" HW on CV004-030.

# HIGH PERFORMANCE CASED VERTICAL

## CV-H / CV-O VERTICAL HEAT ONLY

400 - 1,200 CFM



MODEL CV-H/O	A	B	C	D	E	FILTER SIZE
400	14 5/32	10 15/32	7 3/32	2 17/32	3 1/32	20 x 14
600	14 5/32	10 15/32	8 15/32	2 17/32	3 1/32	20 x 14
800	14 5/32	10 15/32	9 13/32	2 17/32	3 1/32	20 x 14
1000	20 5/16	10 3/8	11 15/16	2 3/8	3 1/16	20 x 20
1200	20 5/16	10 3/8	11 15/16	2 3/8	3 1/16	20 x 20

- Right hand unit shown, left hand unit opposite.
- Coil connections determined by facing front access panel.
- Electrical junction box is located on the same side as the coil connections.
- Unit must be installed level and condensate drain lines should be trapped.
- Drain pan is powder coated epoxy with a 1/4" thick closed cell insulation and has 3/4" NPT CVH/O04-012, primary and secondary drain connections.
- Entire cabinet, scroll and blower wheel are heavy gauge, galvanized steel.
- Coil connections: 1/2" CW on CV004 -006; 3/4" on CV008-012; 1/2" HW on CV004-012.