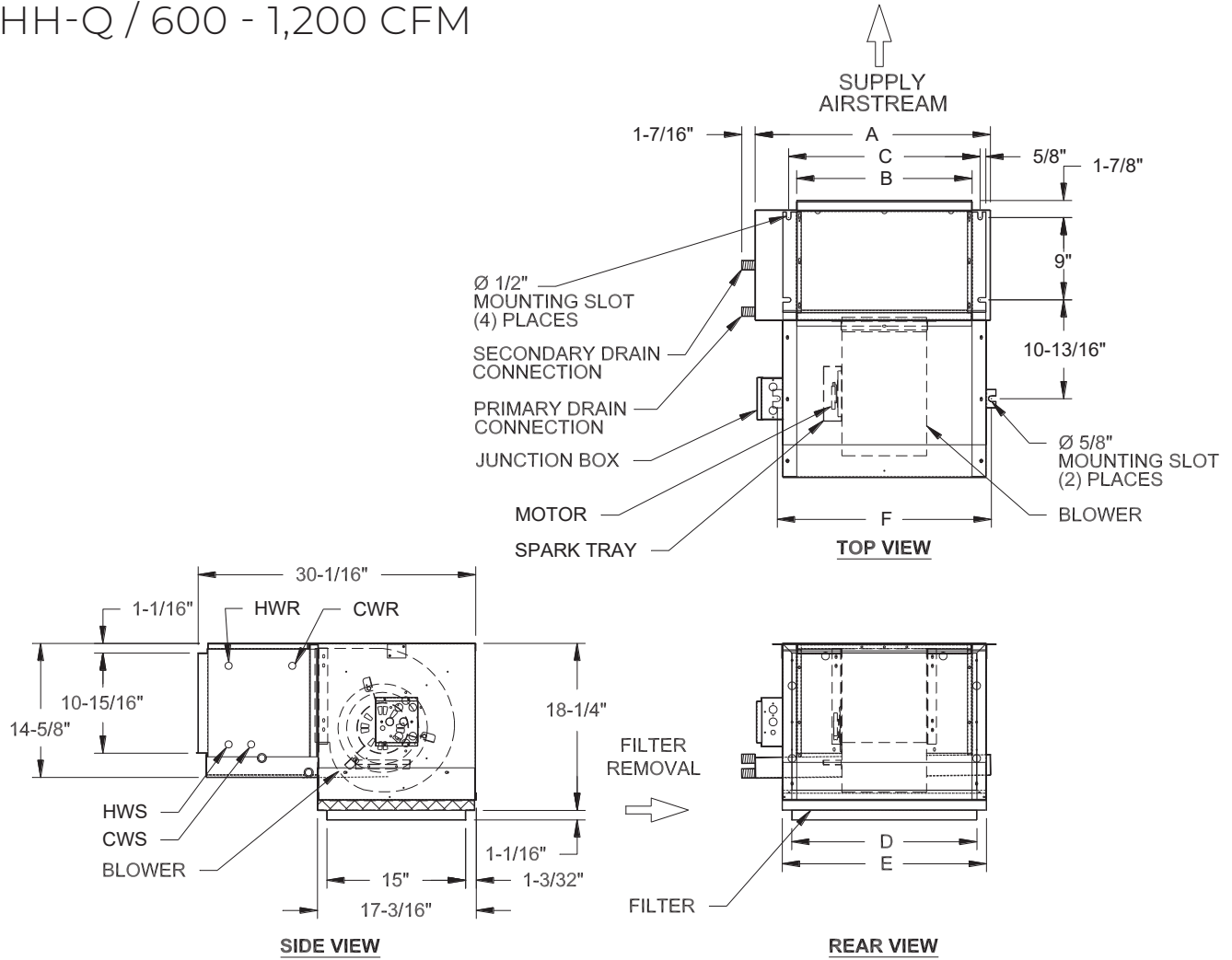


HIGH PERFORMANCE HORIZONTAL WITH BOTTOM RETURN AIR PLENUM

HH-Q / 600 - 1,200 CFM

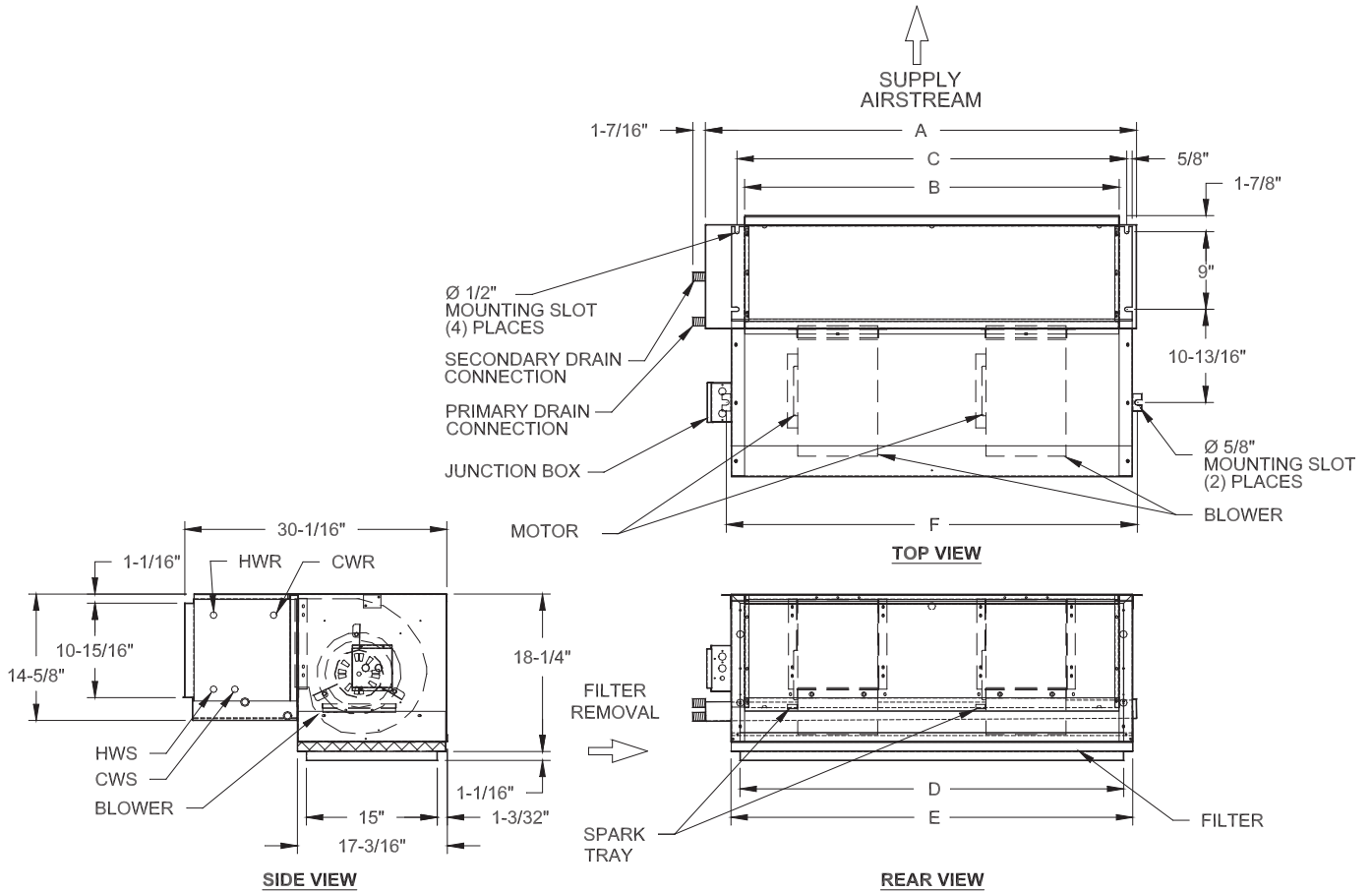


MODEL HH-Q	A	B	C	D	E	F	FILTER SIZE
600	21 1/2	15	16	16 1/16	19 3/16	19 3/8	17 x 18 x 1
800	25 1/2	19	20	20 1/16	23 3/16	23 3/8	17 x 22 x 1
1000	31 1/2	25	26	26 1/16	29 3/16	29 3/8	17 x 28 x 1
1200	37 1/2	31	32	32 1/16	35 3/16	35 3/8	17 x 34 x 1

- Right hand unit shown, left hand unit opposite.
- Coil connections determined by facing the supply air opening.
- Electrical junction box is located on the same side as the coil connections.
- Unit must be installed level and condensate drain lines should be trapped.
- Drain pan is powder coated epoxy with a 1/4" thick closed cell insulation and has 3/4" NPT primary and secondary drain connections.
- Entire cabinet, scroll and blower wheel are heavy gauge, galvanized steel.
- Coil connections: 1/2" CW on HH006, 3/4" on HH008-012 and 1/2" HW on HH006-012.

HIGH PERFORMANCE HORIZONTAL WITH BOTTOM RETURN AIR PLENUM

HH-Q / 1,500 - 2,200 CFM



MODEL HH-Q	A	B	C	D	E	F	FILTER SIZE
1500	43 1/2	37	38 3/4	38 1/16	40 1/8	41 3/16	17 x 40 x 1
1800	49 1/2	43	44 3/4	44 1/16	46 1/8	47 3/16	17 x 46 x 1
2200	55 1/2	49	50 3/4	50 1/16	52 1/8	53 3/16	17 x 52 x 1

- Right hand unit shown, left hand unit opposite.
- Coil connections determined by facing the supply air opening.
- Electrical junction box is located on the same side as the coil connections.
- Unit must be installed level and condensate drain lines should be trapped.
- Drain pan is powder coated epoxy with a 1/4" thick closed cell insulation and has 3/4" NPT primary and secondary drain connections.
- Entire cabinet, scroll and blower wheel are heavy gauge, galvanized steel.
- Coil connections: 3/4" CW on HH015-022 and, 1/2" HW on HH015-022.