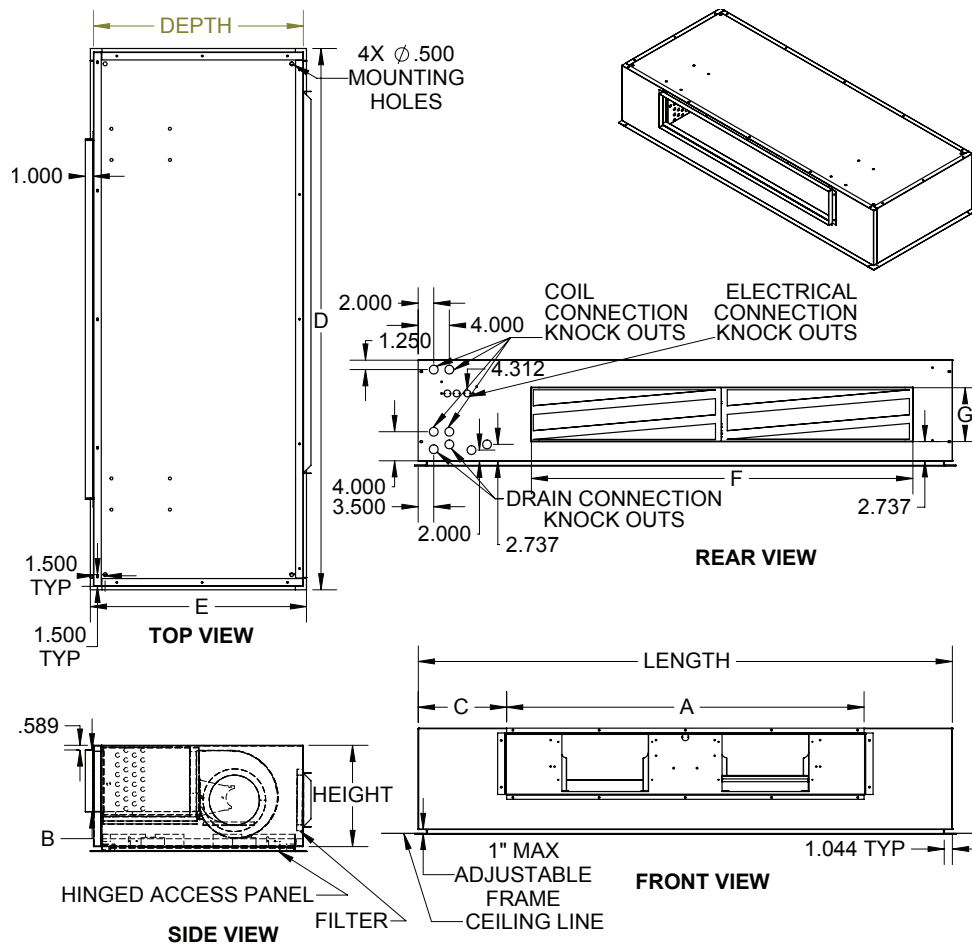


HORIZONTAL FLUSH

LH-F/200 - 1,200 CFM



RIGHT HAND SHOWN

UNIT SIZE	OVERALL			SUPPLY DUCT			FRAME		RETURN DUCT		BLOWERS	FILTER ZSIZE
	LENGTH	HEIGHT	DEPTH	A	B	C	D	E	F	G		
002-003	46.5	11	27	18.25	6.38	14.13	47.5	27.75	29	7	1	(1) 8 x 30 x 1
004	46.5	11	27	24.25	6.38	11.13	47.5	27.75	29	7	2	(1) 8 x 30 x 1
006	54.5	11	27	32.25	6.38	11.13	55.5	27.75	39	7	2	(2) 8 x 20 x 1
008	54.5	13	27	32.25	8	11.13	55.5	27.75	39	9	2	(2) 8 x 20 x 1
010	68.5	13	27	38.28	8	15.13	69.5	27.75	49	9	2	(2) 8 x 25 x 1
012	68.5	13	27	46.25	8	11.13	69.5	27.75	49	9	2	(2) 8 x 25 x 1

- All sizes shown in inches.
- Right hand unit shown, left hand unit opposite.
- Coil connections determined by facing the supply air opening.
- Electrical junction box is located on the same side as the coil connections.
- Unit must be installed level and condensate drain lines should be trapped.
- Drain pan is powder coated epoxy with a 1/8" thick Elastomeric insulation and has 3/4" NPT primary and secondary drain connections.
- Entire cabinet, scroll and blower wheel are heavy gauge, galvanized steel.
- Coil connections: 1/2" CW on 004-006, 3/4" CW on 008-012 and 1/2" HW on 004-012.