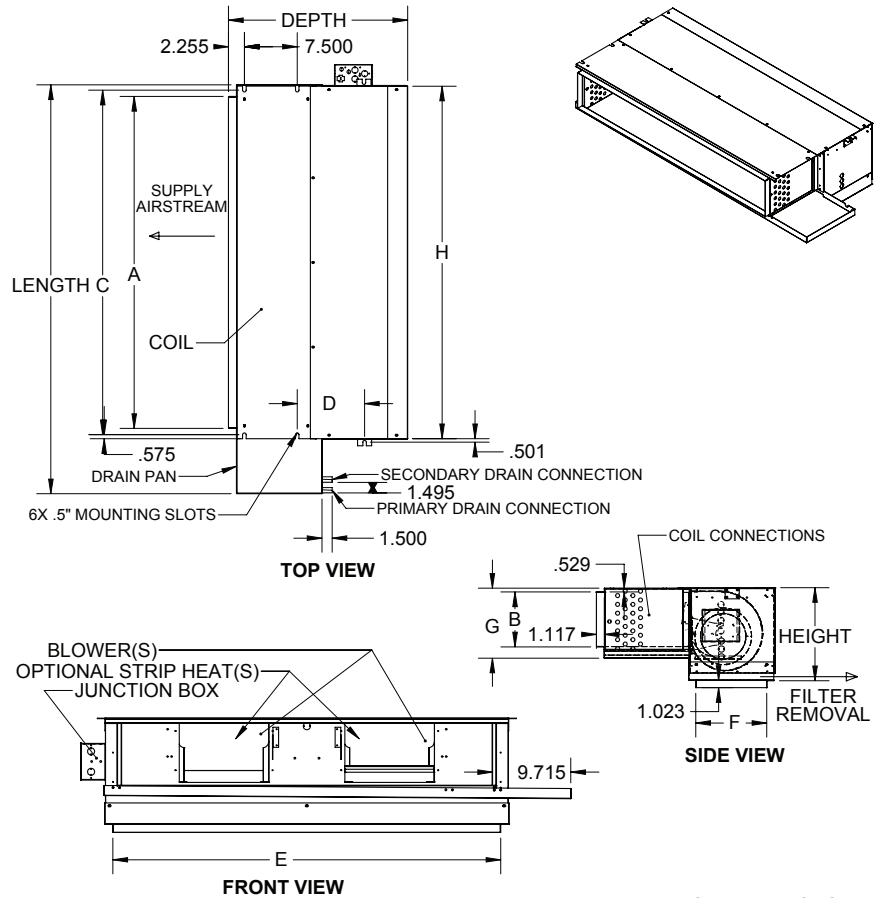


# HORIZONTAL BOTTOM RETURN AIR PLENUM

LH-Q/200 - 1,200 CFM



RIGHT HAND SHOWN

OVERALL				SUPPLY DUCT		MOUNTING		RETURN DUCT						
UNIT SIZE	LENGTH	HEIGHT	DEPTH	A	B	C	D	E	F	G	H	BLOWERS	FILTER ZSIZE	
002-003	30	11.19	23.38	19.13	6	20.88	8.5	20.13	8.08	8	22	1	10 X 22 X 1	
004	37.5	11.19	23.38	25.13	6	26.88	8.5	29.13	8.08	8	31	2	10 X 31 X 1	
006	44	11.19	23.38	33.13	6	34.88	8.5	34.13	8.08	8	36	2	10 X 36 X 1	
008	44	13.19	25.38	33.13	7.75	34.88	9.5	34.13	10.08	9.75	36	2	12 X 36 X 1	
010	50	13.19	25.38	39.13	7.75	40.88	9.5	40.13	10.08	9.75	42	2	12 X 42 X 1	
012	58	13.19	25.38	47.13	7.75	48.88	9.5	48.13	10.08	9.75	50	2	12 X 50 X 1	

- All sizes shown in inches.
- Right hand unit shown, left hand unit opposite.
- Coil connections determined by facing the supply air opening.
- Electrical junction box is located on the same side as the coil connections.
- Unit must be installed level and condensate drain lines should be trapped.
- Drain pan is powder coated epoxy with a 1/8" thick Elastomeric insulation and has 3/4" NPT primary and secondary drain connections.
- Entire cabinet, scroll and blower wheel are heavy gauge, galvanized steel.
- Coil connections: 1/2" CW on 004-006, 3/4" on 008-012 and 1/2" HW on 004-012.