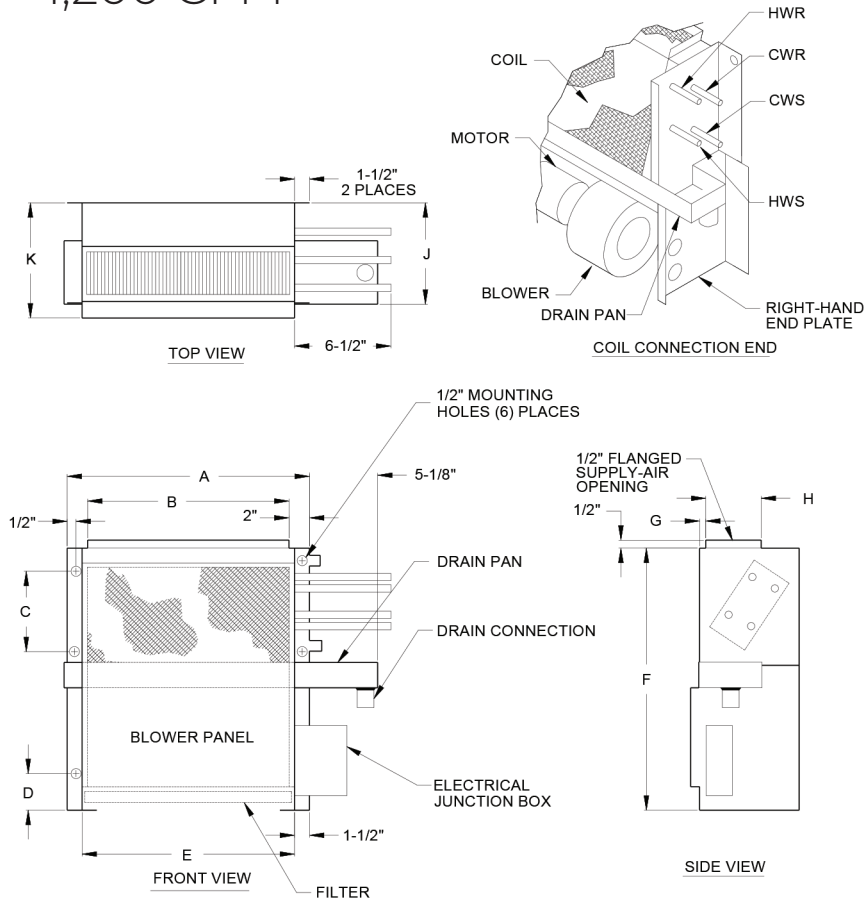


VERTICAL BASIC

LV-B 200 - 1,200 CFM



MODEL BASIC	A	B	C	D	E	F	G	H	J	K	FILTER SIZE
200	20	16	N/A	3-1/4	20	22	1/4	4	9-1/2	10	10 x 20 x 1
300	20	16	N/A	3-1/4	20	22	1/4	4	9-1/2	10	10 x 20 x 1
400	31	27	N/A	3-1/4	31	22	1/4	4	9-1/2	10	10 x 31 x 1
600	36	32	N/A	3-1/4	36	22	1/4	4	9-1/2	10	10 x 36 x 1
800	37	33	10-1/4	3	34	25-1/2	1/4	5-1/2	11	11	11 x 34 x 1
1000	41	37	10-1/4	3	38	25-1/2	1/4	5-1/2	11	11	11 x 38 x 1
1200	45	41	10-1/4	3	42	25-1/2	1/4	5-1/2	11	11	11 X 42 X 1

- All sizes shown in inches.
- Right hand unit shown, left hand unit opposite.
- Coil connections determined by facing the supply air opening.
- Electrical junction box is located on the same side as the coil connections.
- Unit must be installed level and condensate drain lines should be trapped.
- Drain pan is powder coated epoxy with a 1/8" thick Elastomeric insulation and has 3/4" NPT primary and secondary drain connections.
- Entire cabinet, scroll and blower wheel are heavy gauge, galvanized steel.
- Coil connections: 1/2" CW on LV002-006, 3/4" CW on LV008-012 and 1/2" HW on LV002-012.